

Ultra High Density MPO (24 Fiber Ferrule) Module



Ultra High Density 24 fibers Module with single rear MPO/MTP port provide an interface between 24xfibers ferrules MPO/MTP Trunks or Patchleads and LC interface of active equipment. 24xFibers MPO/MTP Interface assure compatibility of currently installed cabling with potential Next Generation MPO/MTP infrastructure for 40/100G application based on 24fibers MPO/MTP interface. Pre-assembled MPO/MTP modules improve the speed of installation. Modules with external MPO/MTP ports can be easily and efficiently connected to trunks or patchleads. Single MPO/MTP mating action provides instant connection for 24 fibers at the time. AFL HyperScale® UHD module with its unique footprint allow to scale high density fiber optics infrastructure with up to 288 fibers inside 2U space. New LC Quad shuttered adapter design allows for free connector finger access without the need of using extra extraction tool. Dual lock position allow for fixing the module in the intermediate patch installation position as well as secure module inside the chassis. Single Module can be accessed anytime using pull release element. Modular systems can be easily disconnected and reconfigured for fast add ons or system change reconfigurations.

FEATURES/BENEFITS

- 24(LC) fibers modules
- 24 Fiber ferrule MPO/MTP interface
- Compatible with 1U (5 modules), 2U (12 modules) and 0U Chassis System
- Premium LC Low Loss terminations
- Standard and Elite low loss MPO/ MTP connectors
- SM and MM (OM3/OM4) Versions

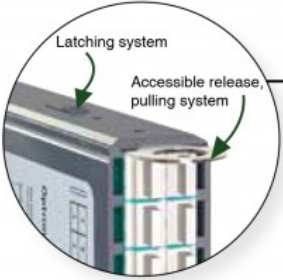
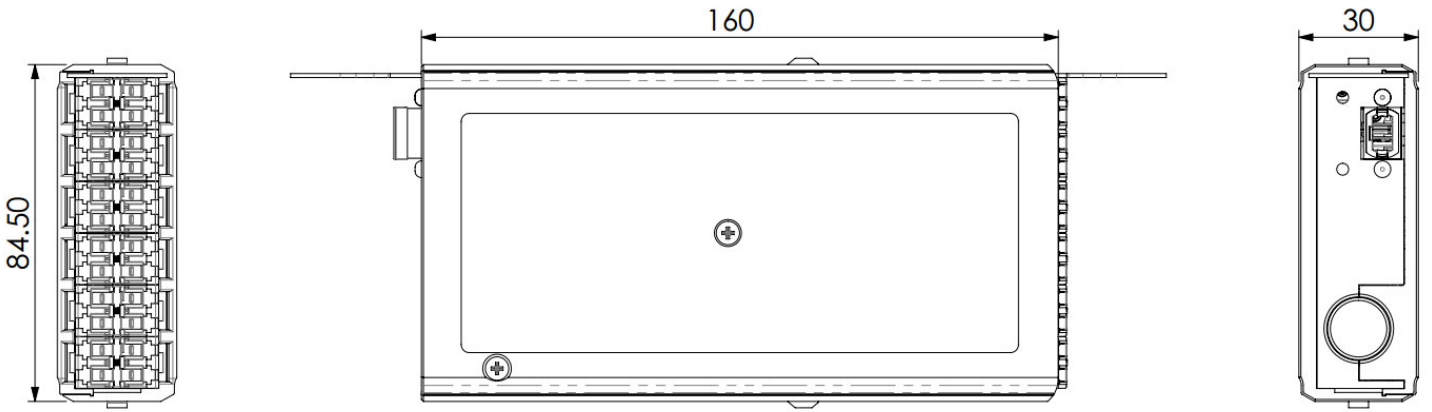
APPLICATIONS

- Data Centre Infrastructure
- Storage Area Network
- Fiber Channel

SPECIFICATIONS

ELEMENT	CHARACTERISTIC
Fiber Types	SM 9/125 G.657A1, MM 50/125 OM4
Fiber Counts	24
Polarity Mapping	Non Standard- Variant 1
Adaptors	Rear Adaptors: Single x MPO/MTP Body Colour: Black- Opposite Keyway; Front Adaptors: 6 x LC(Quad) with Internal Shutter Body Colour: Aqua, Erica Violet (OM4), Blue (SM/UPC), Green (SM/APC)
Internal Assembly Connectors	MPO/MTP MM: Low Loss ELITE (24Fiber Ferrule) MPO/MTP SM: Standard Loss (24Fiber Ferrule) LC MM/SM Low Loss Premium
Module Material	ABS
Module Colour	Grey RAL7015
Storage Temperature	-20 ~ +60°C
Operating Temperature	-20 ~ +60°C
Module Dimension (W x D x H)	30 x 160 x 84.50mm
Package Dimensions (W x D x H)	45 x 280 x 140mm
Module Weight	2.10kg
Module Weight (Packaged)	2.75kg

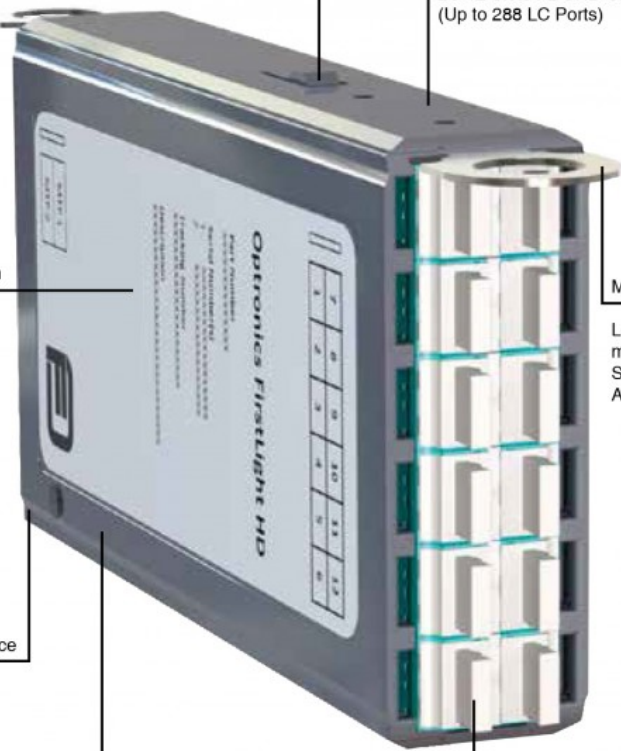
TERMINATION PERFORMANCE CONNECTOR MATING	IL AVERAGE	IL MAX	RETURN LOSS
MTP ELITE (MM 24F)	0.10dB	0.35dB	NA
LC, SC Premium (MM)	0.08dB	0.15dB	NA
MTP (SM 24F)	0.30dB	0.75dB	>60dB
LC, SC Premium (SM)	0.12dB	0.15dB	55/65dB



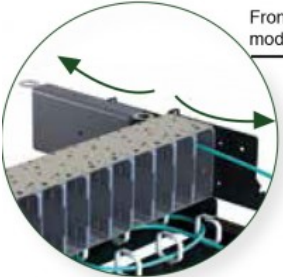
Latching system
Accessible release, pulling system

Dual Module Lock Position
Patching installation
Intermedia Lock Position

Compatibility
1U 5 Slots FL UHD Chassis (Up to 120 LC Ports)
2U 12 Slots FL UHD Chassis (Up to 288 LC Ports)



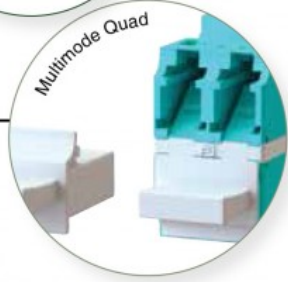
Module access
Lock/ Release/ Pull mechanism
Single Module Access



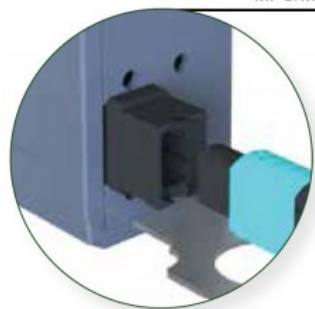
Front and rear module installation



Singlemode Quad



Multimode Quad



MPO/MTP Interface

New LC Quad Adapter
Extraction Tool Free Installation
High Density
Internal shutter

12 or 24 Fibres in Single Module

ORDERING INFORMATION

Code	Fibre Type		Code	End B		Code
A	4	OM4	UD24BPV	A	LC	-04DF
	7	G.657A1		B	LCA	

Legacy ordering information

Part Number	Description
UHDM2PM24LCMM-US	UHD Module 24Fibers 1xMTP(24F ELITE)M to 24xLC (6xLC(QUAD) Aqua) Premium MM 50/125 OM4 Variant I
UHDM2M24LCSM-US	UHD Module 24Fibers 1xMTP(24F)M to 24xLC/UPC (6xLC(QUAD) Blue) Premium SM 9/125 G.657A1 for Variant I
UHDM2M24LCASM-US	UHD Module 24Fibers 1xMTP(24F)M to 24xLC/APC (6xLC(QUAD) Green) Premium SM 9/125 G.657A1 for Variant I
UHDM2PM24LCMMEV-US	UHD Module 24Fibers 1xMTP(24F ELITE)M to 24xLC (6xLC(QUAD) Erica Viol) Premium MM 50/125 OM4 Variant I
UHDM2PM24LCSM-US	HD Module 24Fibers 1xMTP(24F ELITE)M to 24xLC/UPC (6xLC(QUAD) Blue) Premium SM 9/125 G.657A1 for Variant I



SCAN QR FOR PRODUCT PAGE

FURTHER INFORMATION

- For additional information please contact your sales representative
- To view the product 360 visit the product page (Scan the QR code or visit the link below)
- Downloaded from <https://www.aflhyperscale.com/product/uhd-mpo-24-fiber-ferrule-module>
- AFL Hyperscale reserves the right to make changes in this datasheet at any time without notice
- Information in this document is correct as of January 07, 2020