



OMNI FIT™ high performance connectors are designed for use with both CELLFLEX® (copper) and CELLFLEX® Lite (aluminum) cables. They are designed specifically to provide the highest quality connector-cable interface while simplifying and speeding up connector attachment.

FEATURES / BENEFITS

- Cost effective two-piece design for safe and easy installation
- Compatible with copper and aluminium cable types i.e. one connector for both outer conductor materials eliminates the risk of faulty connector installation and helps to keep inventory down
- Robust mechanical design for low and consistent intermodulation performance i.e. keeps the mobile network performance up reduces the number of dropped calls and avoids revenue losses
- Superior electrical performance for consistent and repeatable VSWR i.e. ensure network system performance
- Waterproof to IP 68 i.e. no downtime risk, secures revenue
- RoHS (EU) and CRoHS (China) compliant i.e. can be used on a global basis



NF-LCF12-C03

Technical features

GENERAL SPECIFICATIONS

Transmission Line Type	Coaxial Cable		
Cable Size	1/2		
Cable Type	Foam Dielectric	Radiating	
Model Series	LCF12-50 Series	ICA12-50 Series	RCF12-50 Series
Connector Interface	N		
Connector Type	OMNI FIT™ Standard		
Sealing Method	O-ring		
Gender	Female		

ELECTRICAL SPECIFICATIONS

Nominal Impedance, ohms	Ohm	50
3rd Order IM Product @ 2x20 Watts	dBc	-157 ; typical -160
Maximum Frequency	GHz	6.0
VSWR, Return Loss	VSWR (dB)	0 < f ≤ 1.0 GHz: 1.03 (36.6) 1.0 < f ≤ 2.7 GHz: 1.04 (34.1) 2.7 < f ≤ 3.7 GHz: 1.08 (28.3) 3.7 < f ≤ 5.0 GHz: 1.15 (23.1) 5.0 < f ≤ 6.0 GHz: 1.25 (19.1)

MECHANICAL SPECIFICATIONS

Plating Outer/Inner	Trimetal/Silver	
Length	mm (in)	55.3 (2.2)
Outer Diameter	mm (in)	22 (0.87)
Inner Contact Attachment	Spring Finger	
Outer Contact Attachment	Spring C-Ring	

ACCESSORIES

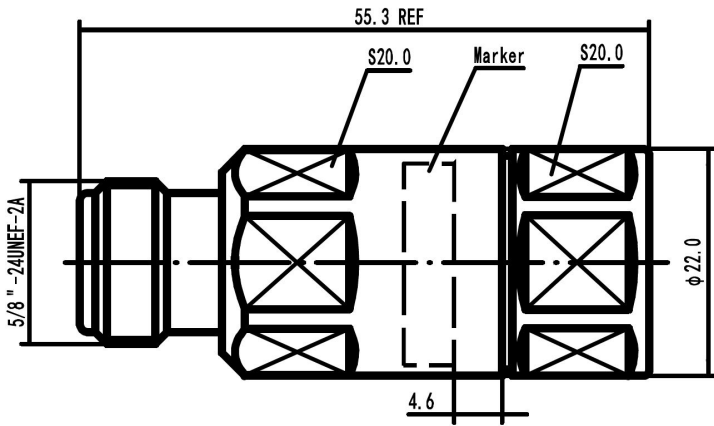
Wrench size front	mm (in)	20 (13/16)
Wrench size rear	mm (in)	20 (13/16)
Trimming Tool	TRIM-SET-L12-C02	



TESTING AND ENVIRONMENTAL

Waterproof Level

IP68



NF-LCF12-C03 Outline drawing

External Document Links

[Installation Instruction](#)

Notes