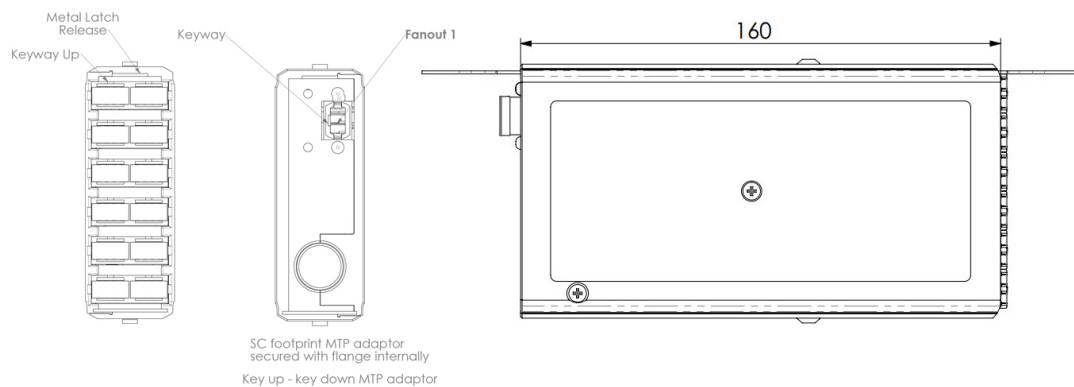
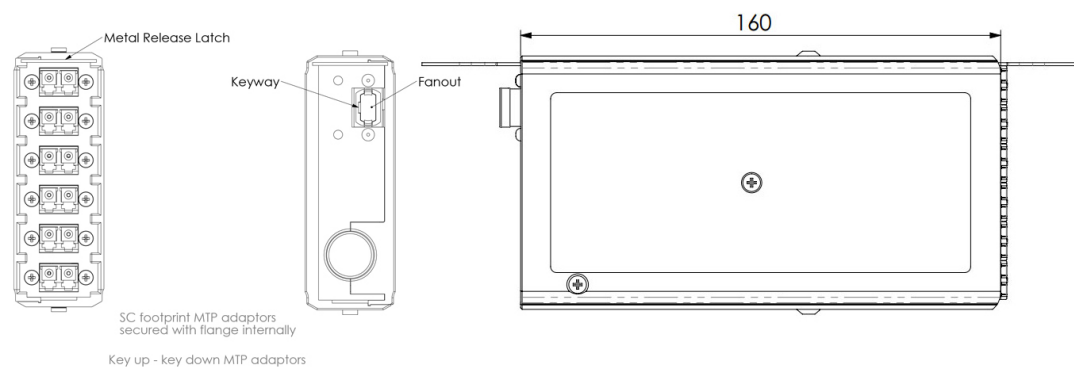
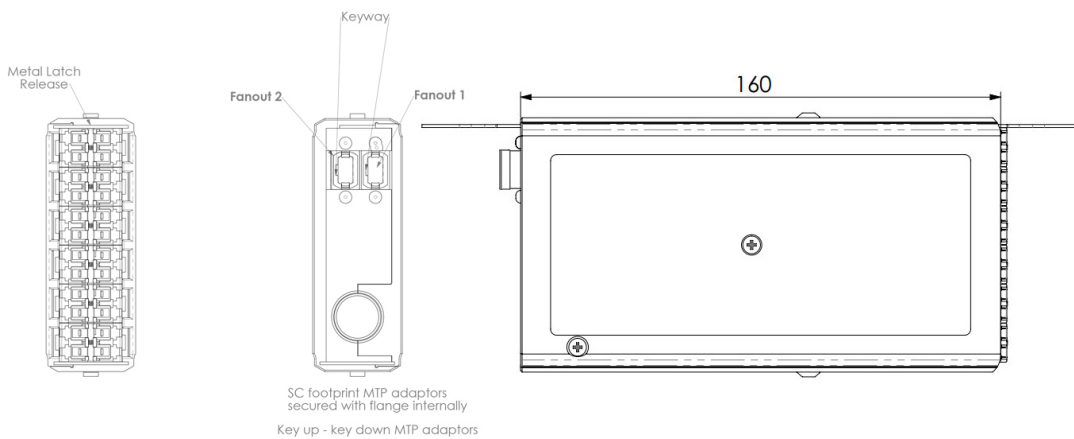
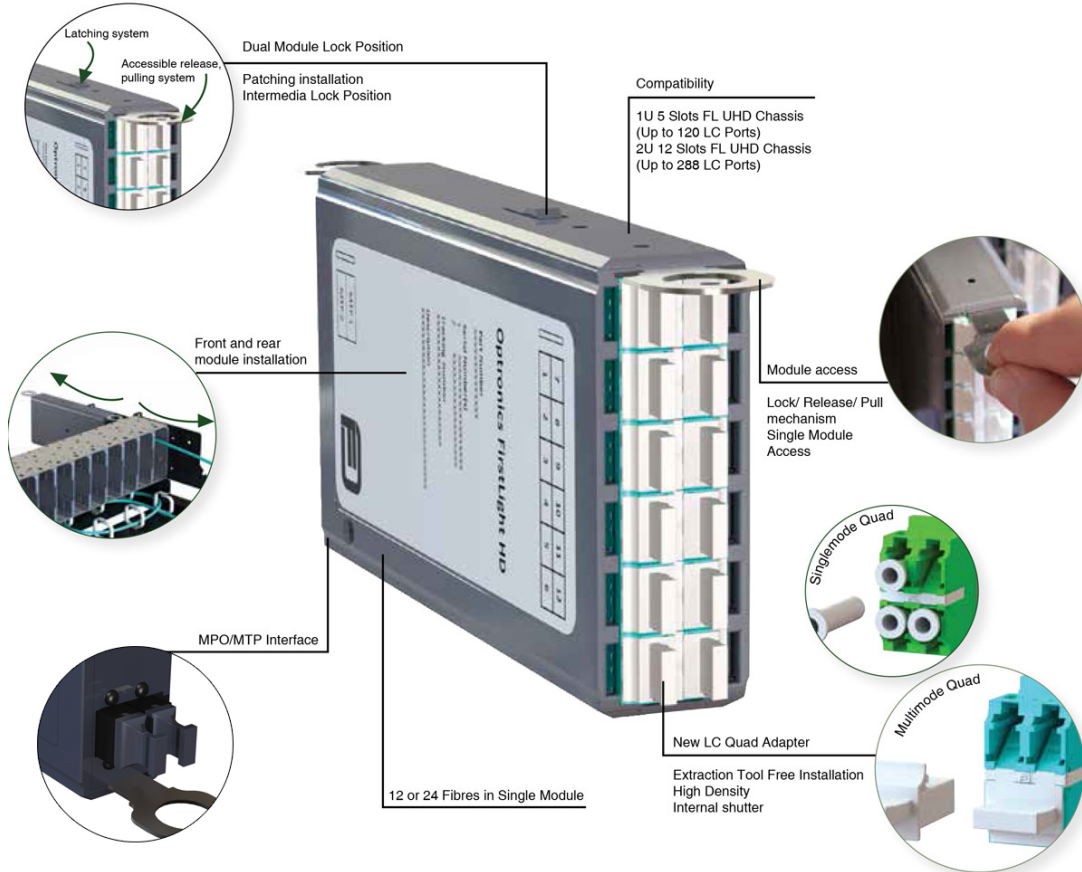


SPECIFICATIONS

ELEMENT	CHARACTERISTIC
Fiber Category	SM 9/125 G.657A1, MM 50/125 OM4
Fiber Counts	12(LC, SC), 24(LC)
Polarity Mapping	Polarity A, B, C
Adaptors	ADAPTOR REAR: 1xMPO (12xFiber Module), 2xMPO (24xFiber Module);Body Colour: Black (Polarity A/C) Keyway up- Keyway down,Grey (Polarity B) Keyway up- Keyway up; ADAPTOR FRONT: 6xLC(QUAD) 24xFiber Module, 6xLC(DX) 12xFiber Module, 6xSC(DX) 12xFiber Module;Body Colour: AQUA (MM- OM3/OM4), ERICA VIOLET (MM- OM4), BLUE(SM/UPC), GREEN (SM/APC)
Internal Assembly Connectors	MPO MM: Low Loss Premium (12xFiber Ferrule), MPO SM: Low Loss Premium (12xFiber Ferrule), LC, SC MM/SM Low Loss Premium
Module Material	ABS
Module Colour	Grey RAL7015 (Standard), Grey RAL7035 (Optional)
Operating Temperature	-20 ~ +60°C
Storage Temperature	-20 ~ +60°C
Module Dimension (W x D x H)	30 x 160 x 84.50 mm
Package Dimensions (W x D x H)	45 x 280 x 140 mm
Module Weight	0.21 kg
Module Weight (Packaged)	0.30 kg

Termination Performance

CONNECTOR MATING	INSERTION LOSS* AVERAGE	INSERTION LOSS* MAX	RETURN LOSS**
MPO Premium Low Loss (MM)	0.10 dB	0.35 dB	NA
LC, SC Premium Low Loss (MM)	0.08 dB	0.15 dB	NA
MPO Premium Low Loss (SM)	0.10 dB	0.35 dB	>60 dB
LC, SC Premium Low Loss (SM)	0.12 dB	0.15 dB	≥55/65 dB



ADDITIONAL INFORMATION

- TIA/EIA-568-C.3 and ISO/IEC 11801
- IEC 61754-7 & EIA/TIA-604-5
- IEC 60793

ORDERING INFORMATION

Code	Fiber Type		Code	Fiber Count		Code	End B		Polarity	
A	3	OM3	UD	12	12 F	BPV	A	LC	-04DA	Polarity A/C
	4	OM4		24	24 F		B	LCA	-04DB	Polarity B Type 1
	7	G.657A1					D	SC	-04DC	Polarity B Type 2
						E	SCA	-04DD	Polarity B Universal	

Legacy ordering information

UHD	MPO CONNECTOR		FIBRE COUNT	DISCRETE CONNECTOR		FIBRE TYPE	POLARITY	
UHD	MPM	MPO Premium Male (12 fiber Ferrule)	12 12 core	LC	LC	SM OS1/2 G.657A1	Leave blank	A/C
			24 24 core	LCA	LC/APC	MM 50/125 OM3/OM4	B1	Polarity B (Type 1)
				SC	SC*		B2	Polarity B (Type 2)
				SCA	SC/APC*		B	Polarity B (Universal)

*Available in 12 fiber modules only

MTP US Conec MPO Connectors Available on Request- Add suffix "-US" to the end of PN

Example Part Number

PART NUMBER	DESCRIPTION
UHDMPM12LCSM	UHD MPO Prem (M)- LC 12F SM 9/125 G.657A1 Pol A/C



SCAN QR FOR PRODUCT PAGE

FURTHER INFORMATION

- For additional information please contact your sales representative
- To view the product 360 visit the product page (Scan the QR code or visit the link below)
- Downloaded from <https://www.aflhyperscale.com/product/uhd-mpo-module>
- AFL Hyperscale reserves the right to make changes in this datasheet at any time without notice
- Information in this document is correct as of January 07, 2020