

guiding
connections

MICRODUCT REDUCERS DI

PRODUCT DESCRIPTION

This product is a reducer or enlarger for Telecom direct installed applications.

Reducers are used in case the inner diameter of the pipes to be connected are equal.

Applicable to connect microducts with an outer diameter from 3 – 16 mm.
In case unforeseen reopening of the connector should be prevented locking clips are available.

APPLICATION AREA

Designed for use with Wavin Cable Duct system to connect microducts used as single microducts or in assemblies.

The product should be used in a protected area like a PDC or in manholes.
The fittings are not meant for direct buried applications.

PRODUCT FEATURES

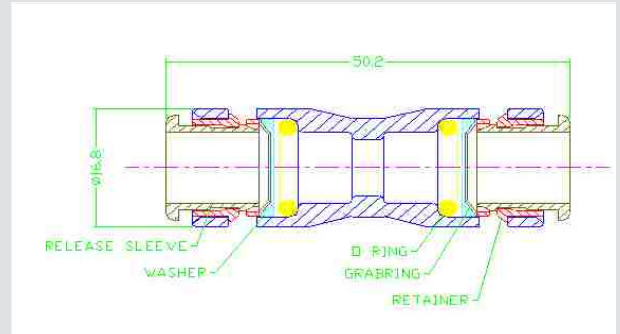
- Transparent housing
- Suitable for microducts from 4 – 16 mm
- Release functioning present
- Pressure tight
- Suitable from -15 °C



Accessible & Watertight Solutions for
latest generation telecom networks

PRODUCT COMPONENTS

| Part description | No of parts | Colour |
|-------------------|-------------|-------------|
| 1. Release sleeve | 2 | Red |
| 2. Washer | 2 | Red |
| 3. Retainer | 2 | Red |
| 4. Body | 1 | Transparent |
| 5. Seal | 2 | Black |
| 6. Grab ring | 2 | Metal |



PRODUCT SPECIFICATIONS

Materials

| | |
|-------------------|--------|
| 1. Release sleeve | POM |
| 2. Washer | POM |
| 3. Retainer | POM |
| 5. Seal | Nitril |
| 6. Grab ring | Metal |

Material for black product on request.

The material is not UV stable. It is advised to protect the product from direct sunlight.

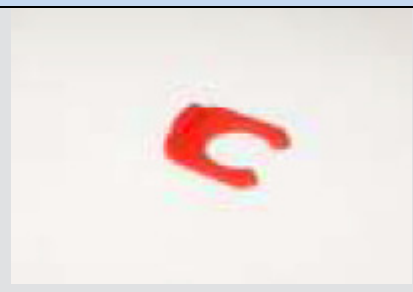
Dimensions

Table 1 Reducers

| Reducers | Foto | Article nr (SAP) |
|----------|------|------------------|
| 5-4 | | 4034715 |
| 7-4 | | 4053547 |
| 7-5 | | 4034716 |
| 8-5 | | 4034608 |
| 8-7 | | 4034668 |
| 10-5 | | 4034607 |
| 10-7 | | 4034741 |
| 10-8 | | 4034725 |
| 12-7 | | 4034600 |
| 12-8 | | 4034691 |
| 12-10 | | 3024528 |
| 14-7 | | 4053546 |
| 14-10 | | 4037458 |
| 14-12 | | 3024527 |
| 16-12 | | 4034628 |

Other dimensions : 4-3, 5-3, 6-4, 7-3, 7-6, 8-6, 10-4, 10-6, 12-7

Table 2 Locking clips

| Dimension (mm) | Photo | Article nr (SAP) |
|----------------|---|------------------|
| 3 |  | - |
| 4 | | - |
| 5 | | 4034692 |
| 7 | | 4034604 |
| 8 | | 4034631 |
| 10 | | 4034605 |
| 12 | | 4034606 |
| 14 | | 4034639 |
| 16 | | - |