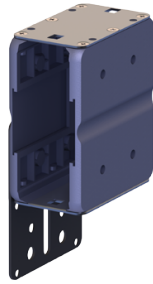


Ultra High Density 0U Solution



The Ultra High Density 0U solution is designed to allow outside rack U space installation of UHD MPO/MTP, preterm or splice modules. The UHD 0U kit contains an assembled chassis accepting 1 x module, mounting plate and a set of installation screws. The mounting plate can be installed in a variety of positions. 0U chassis are designed to be easily stacked together creating multiple modules outside rack chassis structures.

FEATURES/BENEFITS

- Kit for Outside Rack Space UHD Modules Installation
- Single UHD 0U Kit accepts Single Module
- Multiple Kits can be Stacked to Create Multiple Module Outside Rack Space Chassis System
- Front and Rear Module Installation
- 2 Point Module Locking Position
- Compatible with UHD MPO/MTP, Preterm and Splice Modules

APPLICATIONS

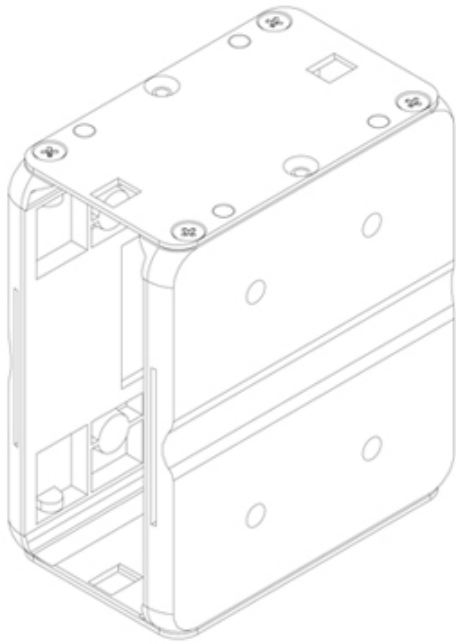
- Data centers, premise installations, telecommunication networks
- Data Communication
- Central Office
- FTTX

SPECIFICATIONS

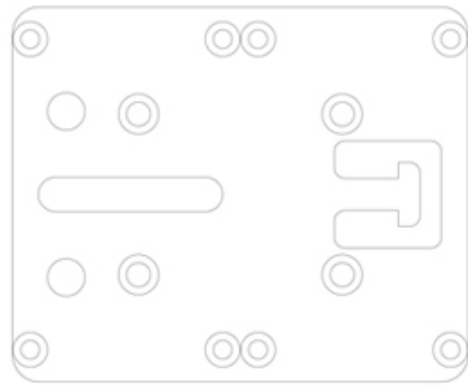
SPECIFICATION

0U Chassis Height	88mm
0U Chassis Width	43mm
0U Chassis Depth	76mm
Packaged weight	0.150kg
Packaged in bag Dimensions	180mm x 230mm
Material	ABS , CR4 Steel
Colour	ABS: RAL 7015, RAL7035
Operating temperature	-40°C to +50°C
Designed in accordance with	TIA/EIA 568.C, ISO/IEC 11801, EN 50173, IEC 60304, IEC 61754,
Materials compliant to	RoHS, Reach/SVHC

Kit Components



1 x Mounting Block



1 x 0U Mounting Plate

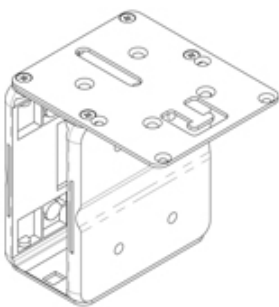


4 x 6mm M4 Countersunk Screw

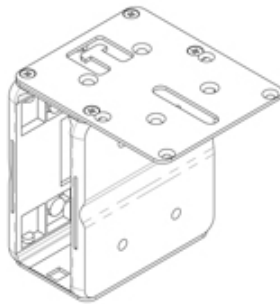


4 x 8mm M3 Countersunk Screw

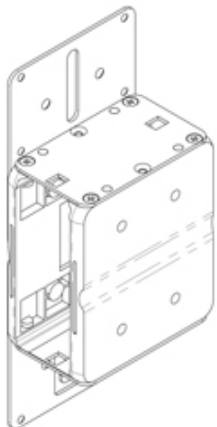
Example Configurations



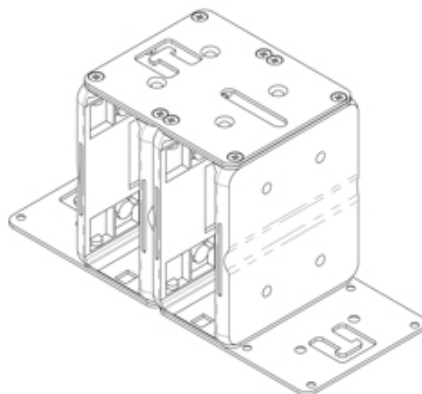
Single Block I



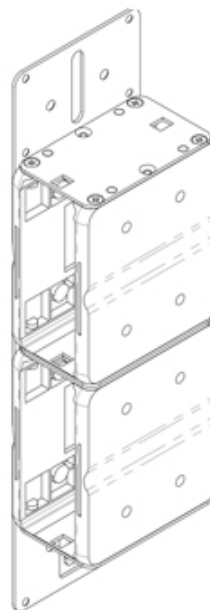
Single Block II



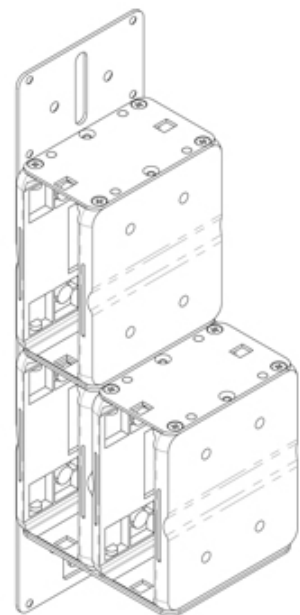
Single Block III*



Dual Block I*



Dual Block II*



Triple Block*

*Configuration would require multiple kits

ORDERING INFORMATION

PART NUMBER	DESCRIPTION	LEGACY PART NUMBER
FXUAXXBXXX-01ZZ	UHD Installation Kit Black ORU	
FXUAXXCXXX-01ZZ	UHD Installation Kit Grey 7015 ORU	UHD0UKIT



SCAN QR FOR PRODUCT PAGE

FURTHER INFORMATION

- For additional information please contact your sales representative
- To view the product 360 visit the product page (Scan the QR code or visit the link below)
- Downloaded from <https://www.aflhyperscale.com/product/ultra-high-density-0u-solution>
- AFL Hyperscale reserves the right to make changes in this datasheet at any time without notice
- Information in this document is correct as of April 30, 2020

Europe

+44 (0) 1908 441 144
 emeasales@aflhyperscale.com
 © AFL Hyperscale 2020

Americas

+1 866 814 8615
 usasales@aflhyperscale.com

Middle East & Africa

+971 4 404 9606
 mesales@aflhyperscale.com

India

+91 80 46874687
 indiasales@aflhyperscale.com

Asia Pacific

+86 755 2561 3694
 apacsales@aflhyperscale.com