



## Feature:

- Multi-folded periphery of the enclosure to avoid water and sundries entering into the inner enclosure;
- Cold rolled steel welded frame with strong structure;
- All-round polyurethane gasket in the door with good protection;
- Molded door border with exquisite image and strong intensity;
- Door can be open from left or right;
- Door can be turned to 110 degrees with hinge, and 180 degrees with special hinge;
- Adjustable mounting panel;
- M8 earth pole is mounted on the body, door and the mounting panel;
- Mounting hole drilled at the back of the enclosure, no need extra holes.

## Degree of protection:

- Comply with IEC60529, EN60529/10.91 and GB4208-93 standard;
- Small size enclosure with IP66 ( width and height less than 400mm);
- Width and height over 400mm enclosure with IP55;

## Material:

- SPCC cold rolled steel;
- Thickness: mounting panel: 2.5MM; others: 1.5mm;

## Surface finish:

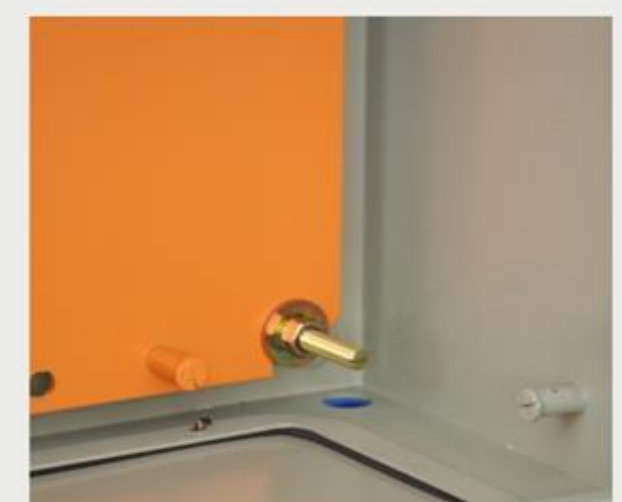
- Body of enclosure and doors :  
Degreasing, phosphoric, electrophoretic dip-coated printed, static power with textured stove enamel RAL7035;
- Mounting panel ( SPCC cold rolled steel)  
Degreasing, pickling, phosphoric, electrophoretic dip-coated printed, static powdered with flat coating RAL2000.

## Use:

- Available for mounting various kinds of electronic component, controlling and cable entry.



Multi-folded protection



Adjustable mounting panel

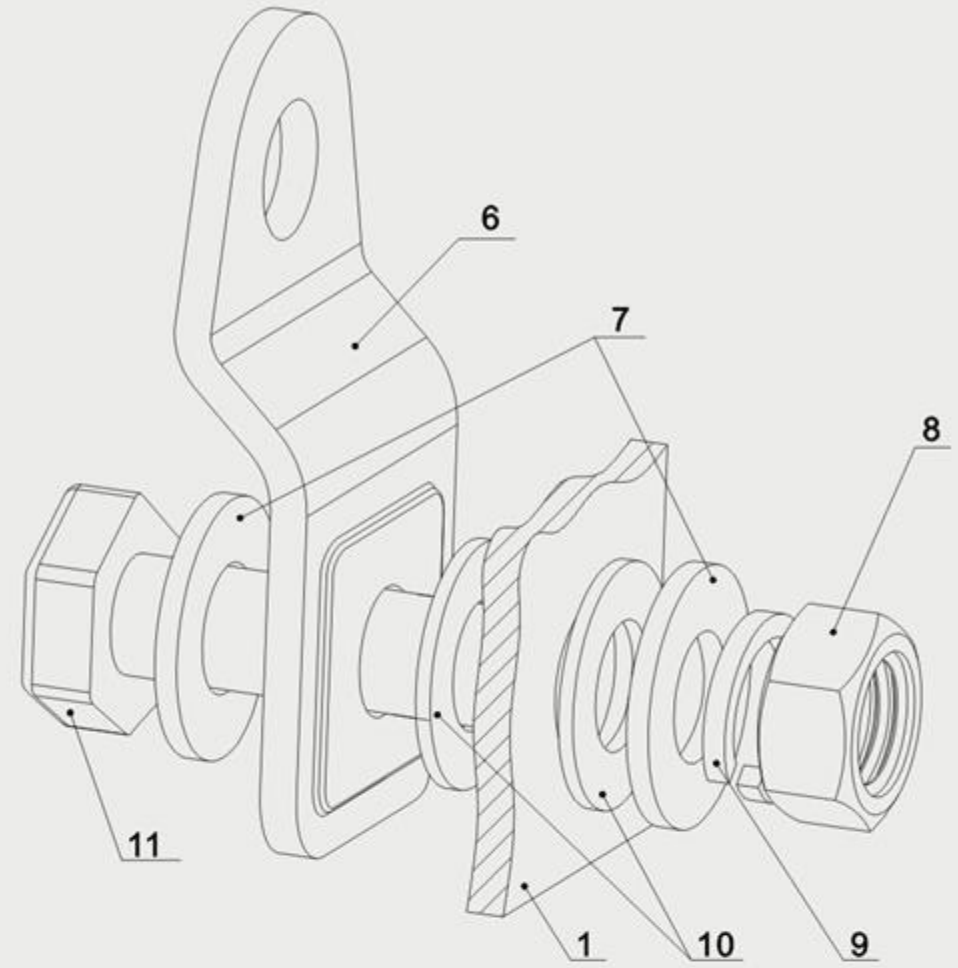
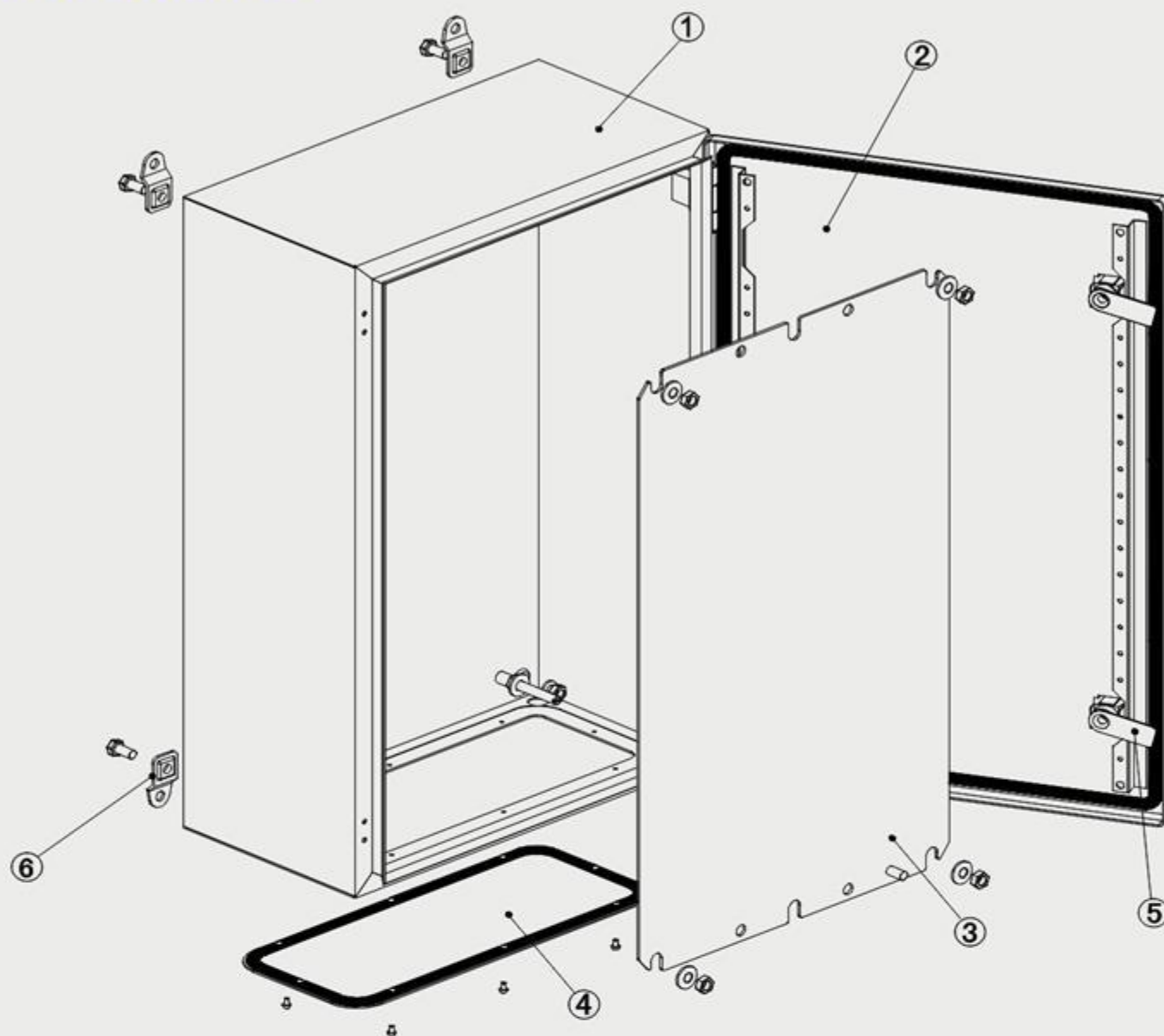


Molded door border



Powdered surface with textured stove enamel

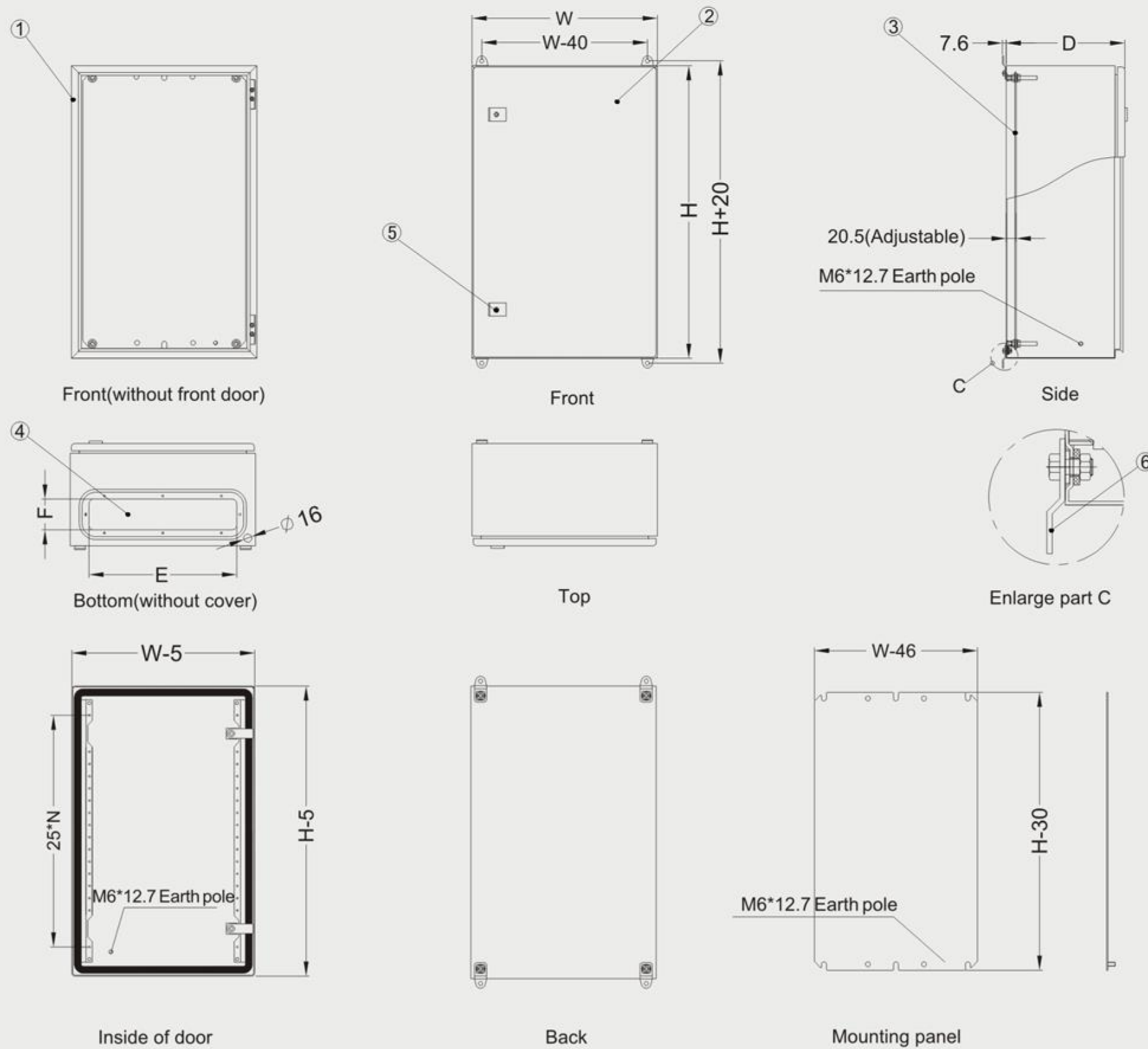
## Main Structure



Drawing of installation instruction for wall bracket

- 1.Body 2.Door 3.Mounting panel 4.Mounting entrance panel 5.Lock 6.Braket 7.φ8 Flat cushion 8.M8 Nut 9. φ8 spring cushion  
10.Plastic cushion 11.M8\*20 Screw

## Main Dimension



# CB Compact Enclosures

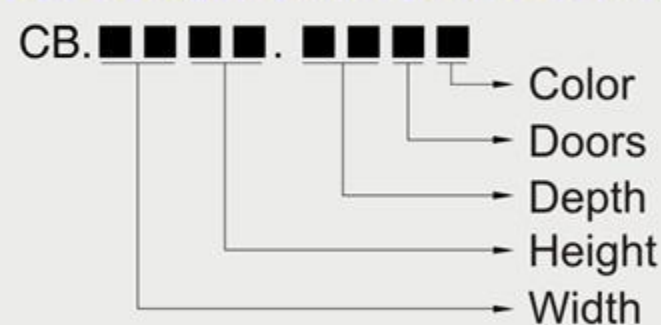
## Main parts:

S/N	Specification	Quantity	Unit	Material	Surface finish	Remark
1	Body	1	Piece	SPCC cold rolled steel t1.5	Powder coated	---
2	Door	1	Piece	SPCC cold rolled steel t1.5	Powder coated	---
3	Mounting Panel	1	Piece	SPCC cold rolled steel t2.5	Powder coated	---
4	Cable entry panel	1	Piece	SPCC cold rolled steel t1.5	Powder coated	---
5	Lock	2	Piece	SPCC cold rolled steel t2.5	Color Zinc	With 1 key
6	Bracket	4	Piece	---	---	---
7	Screw	4	Piece	Steel	Color Zinc	M8*16 for mounting
8	Nut	4	Piece	Steel	Color Zinc	M8 for mounting
9	Washer	4	Piece	Steel	Color Zinc	ø8 for mounting
10	Plastic washer	4	Piece	---	---	ø8 for mounting
11	Mounting hole cover	4	Piece	---	---	Closing the hole

## Specification 1:

Model No.	Width (mm)	Height (mm)	Depth (mm)	Hole size(E*F) (mm)	Packing Dimension	Volume (CBM)
CB.2020.12 ■■	200	200	120	133*43	230*230*150	0.0079
CB.2025.15 ■■	200	250	150	133*43	230*280*180	0.0116
CB.2530.15 ■■	250	300	150	133*43	280*330*180	0.0166
CB.2530.20 ■■	250	300	200	133*43	280*330*230	0.0213
CB.3020.20 ■■	300	200	200	233*45	330*230*230	0.0175
CB.3040.25 ■■	300	400	250	233*45	330*430*280	0.0397
CB.3060.30 ■■	300	600	300	233*45	330*630*330	0.0686
CB.4020.15 ■■	400	200	150	303*63	430*230*180	0.0178
CB.4050.20 ■■	400	500	200	303*63	430*530*230	0.0524
CB.4060.30 ■■	400	600	300	303*113	430*630*330	0.0894
CB.5070.30 ■■	500	700	300	303*113	530*730*330	0.1277
CB.5080.40 ■■	500	800	400	303*113	530*830*430	0.1892
CB.6060.40 ■■	600	600	400	500*113	630*630*430	0.1707
CB.6010.50 ■■	600	1000	500	500*113	630*1030*530	0.3439
CB.7050.25 ■■	700	500	250	500*113	730*530*280	0.1083
CB.7050.30 ■■	700	500	300	500*113	730*530*330	0.1277
CB.8060.30 ■■	800	600	300	500*113	830*630*330	0.1726
CB.8010.40 ■■	800	1000	400	500*113	830*1030*430	0.3676
CB.1012.60 ■■	1000	1200	600	500*113	1030*1230*630	0.7981
CB.1014.60 ■■	1000	1400	600	500*113	1030*1430*630	0.9279
CB.1216.60 ■■	1200	1600	600	500*113	1230*1630*630	1.2631
CB.1218.60 ■■	1200	1800	600	500*113	1230*1830*630	1.4181

## CB Compact Enclosures coding rules :



## Door type:

Model No.	Door feature
CB. ■■■■. ■■1 ■■	Front door
CB. ■■■■. ■■2 ■■	Double-section front door

Width	200, 250, 300, 400, 500, 600, 700, 800, 1000, 1200
Height	200, 250, 300, 400, 500, 600, 700, 800, 1000, 1200, 1400, 1600, 1800
Depth	120, 150, 200, 250, 300, 400, 500, 600

Customers can choose each(Width、Height &Depth) of the demension in the table to makeit a CB Compact Enclosure according to their different needs.

## Definition of color:

Model No.	Color featrue
CB. ■■■■. ■■0 ■■	Mounting panel: RAL2000, others: RAL7035
CB. ■■■■. ■■1 ■■	Mounting panel: Zinc, others: RAL7035

## Color:

RAL7035	RAL2000
gray	orange
