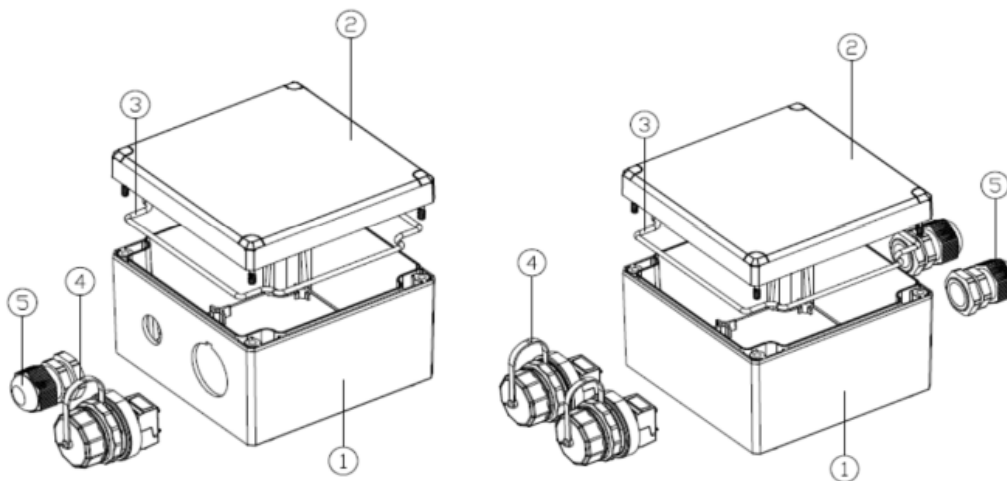


Industrial Ethernet – IP67 Solution Cat.6A

Environmentally sealed connectors are an ideal interconnect solution for heavy-duty and harsh environment applications.

ECS range of sealed interconnect system are ideal for applications that require ruggedized sealed RJ45 plugs and connectors.



| ART. NR | BESKRIVNING |
|----------------|---|
| ALIP67B/1xSC6A | ECS terminal box 1-port IP67 Cat.6A Keystone Jack STP |
| ALIP67B/2xSC6A | ECS terminal box 2-port IP67 Cat.6A Keystone Jack STP |

ABS terminal box range with a IP67 protection degree. The box range is well suited for demanding environments, since water and dust are prevented from entering the terminal box, thus eliminating the risk for component failure, and with that unnecessary downtime.

Height: 120 mm
 Width: 122 mm
 Depth: 80 mm
 Inner depth: 73,5 mm
 Weight: 0.25

