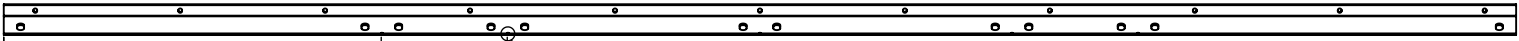
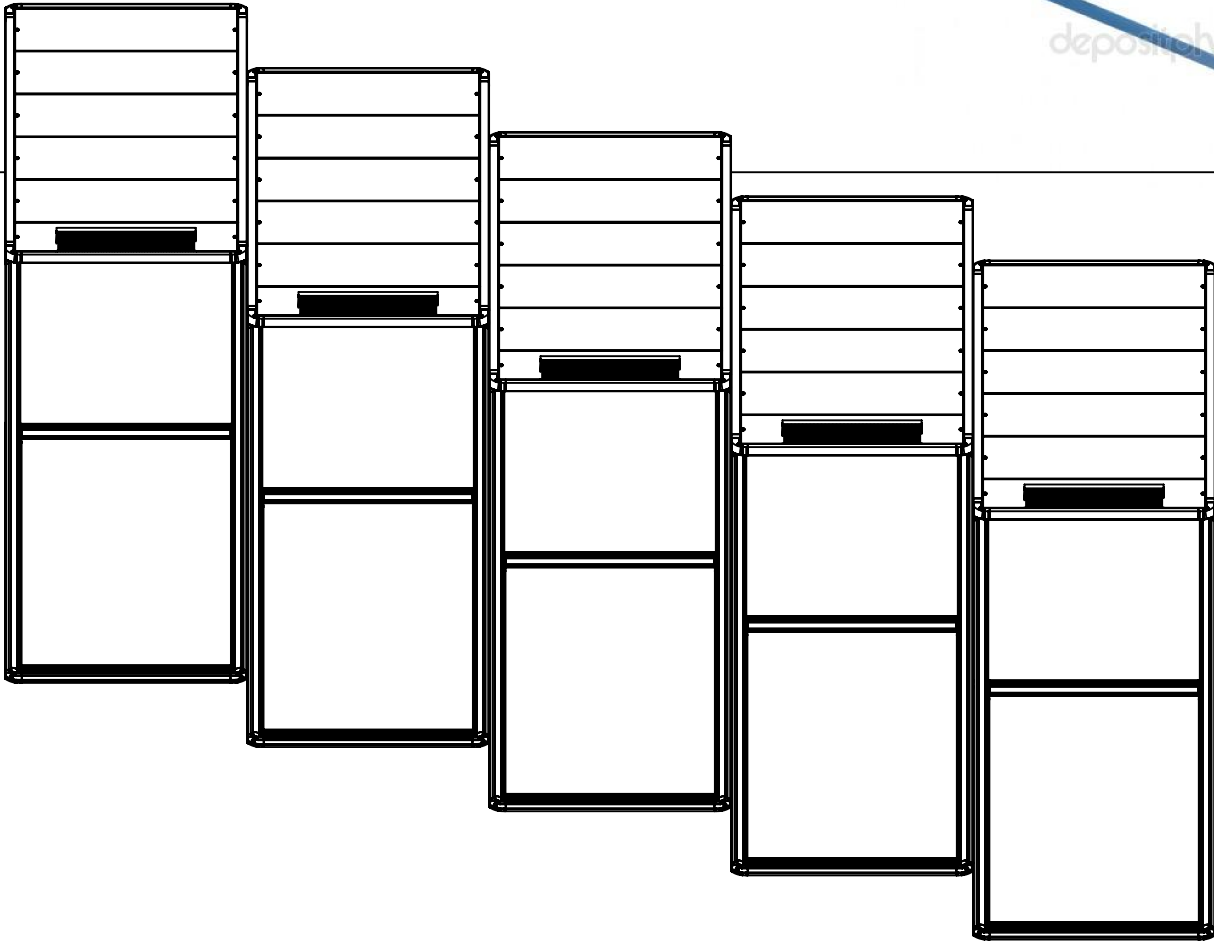
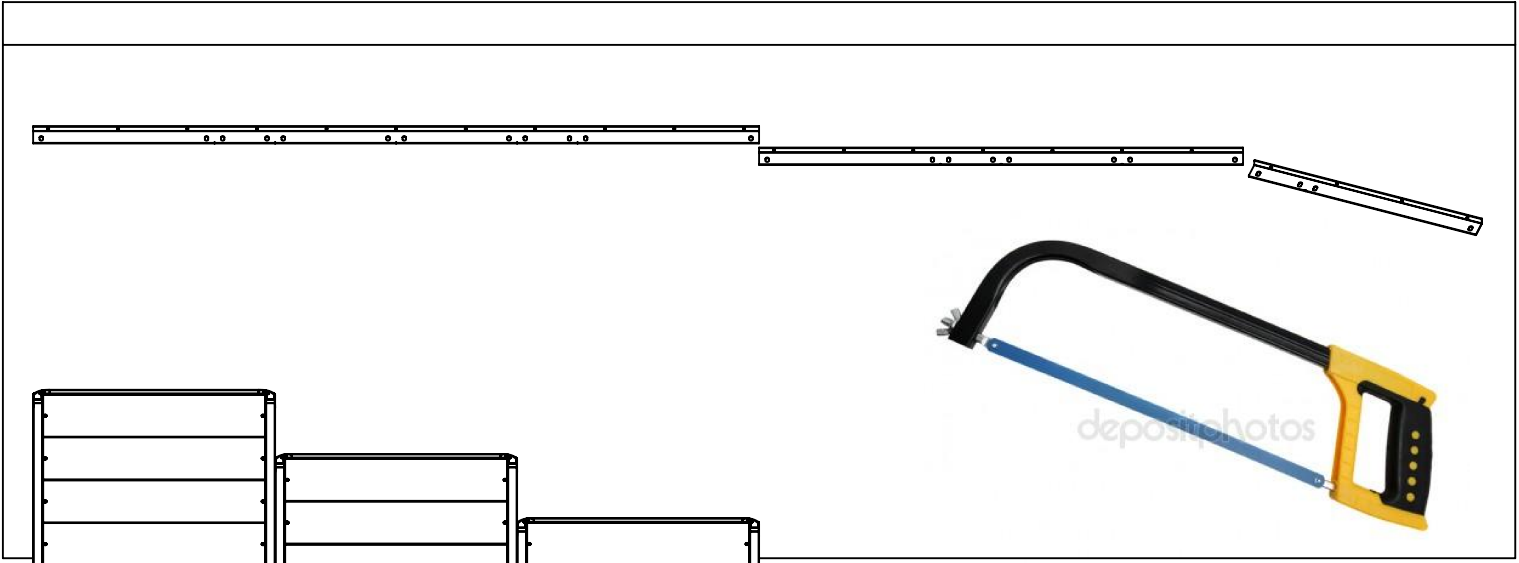


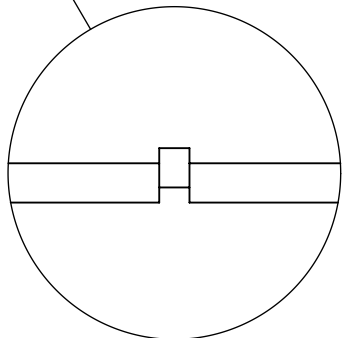
	Point
Manual	1 - 9 & 30
Self Closing	10 & 30
Automatic	11 - 31

1

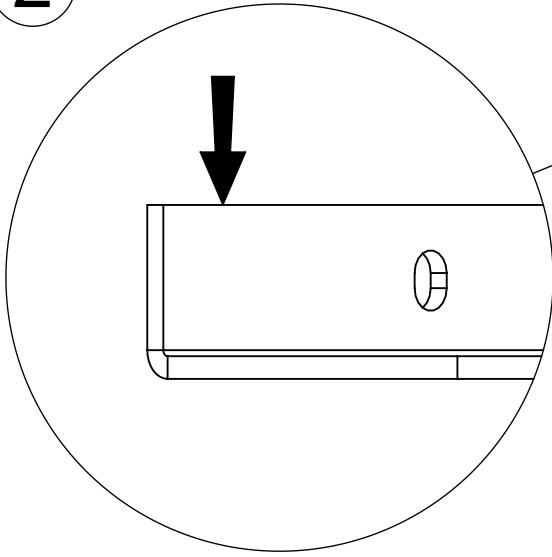


599(600) (4x)

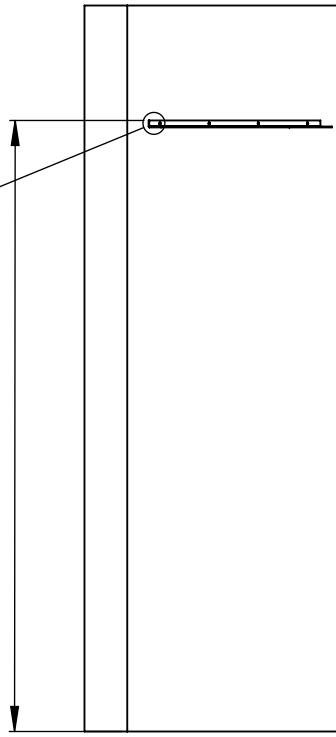
799(800) (3x)



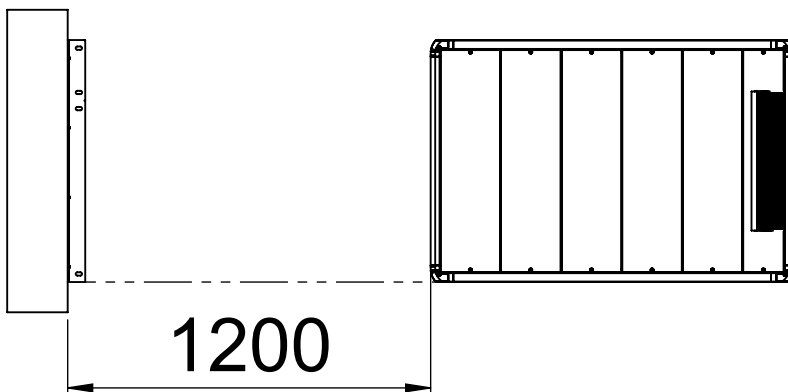
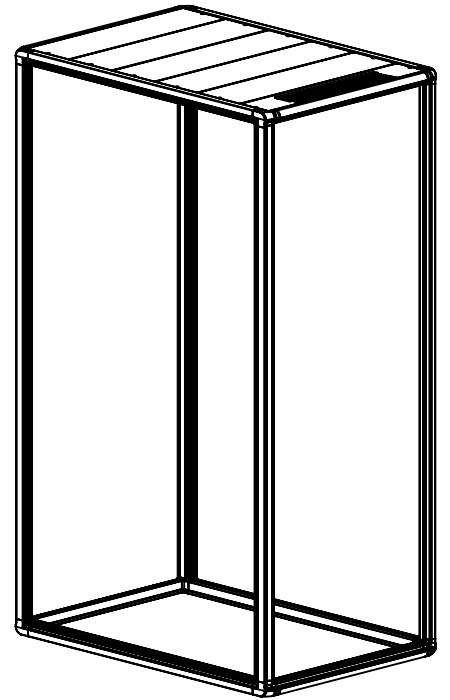
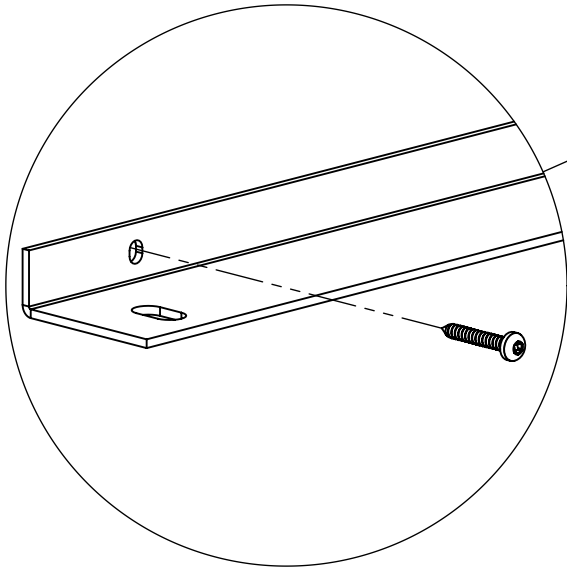
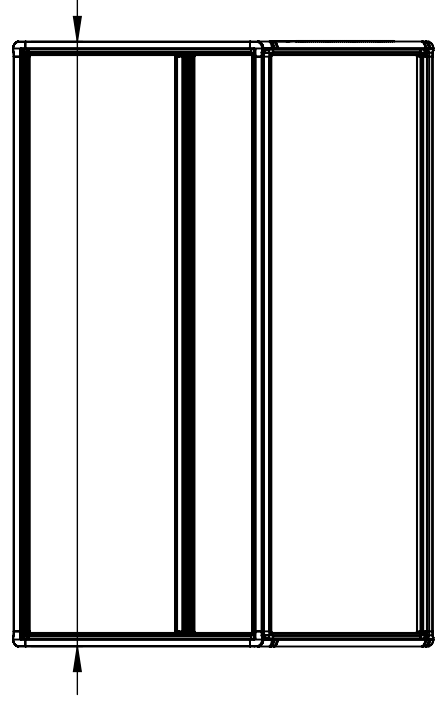
2



2020

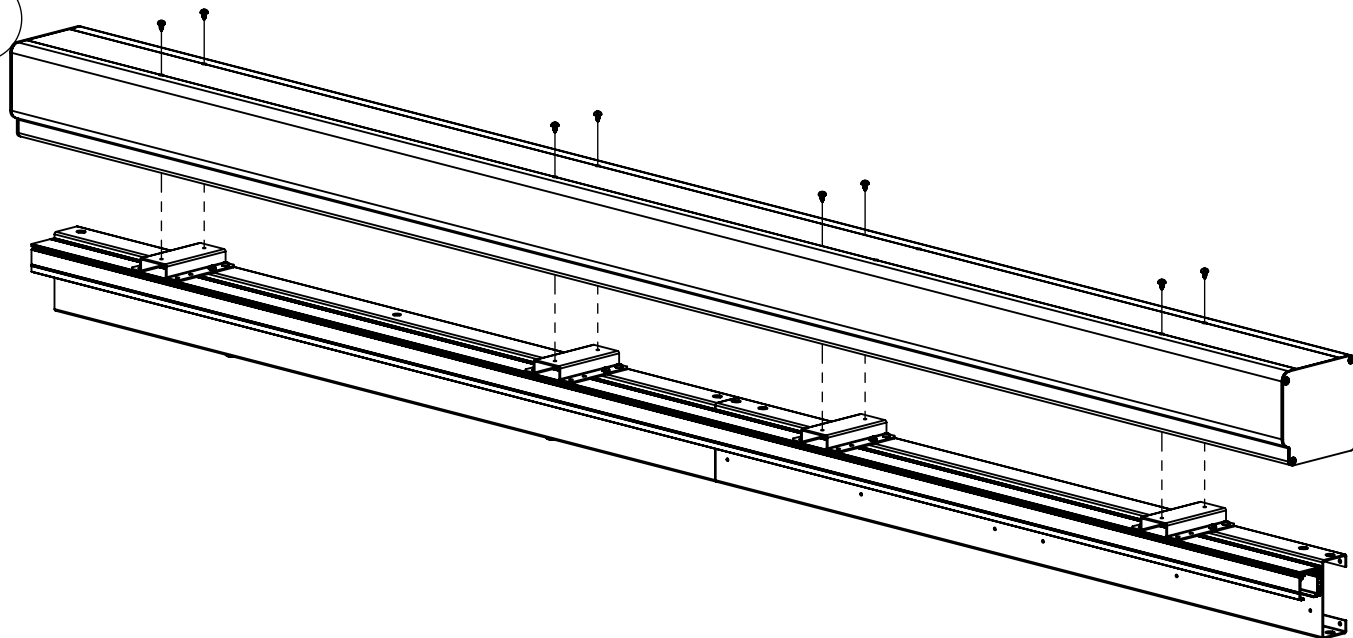


2000

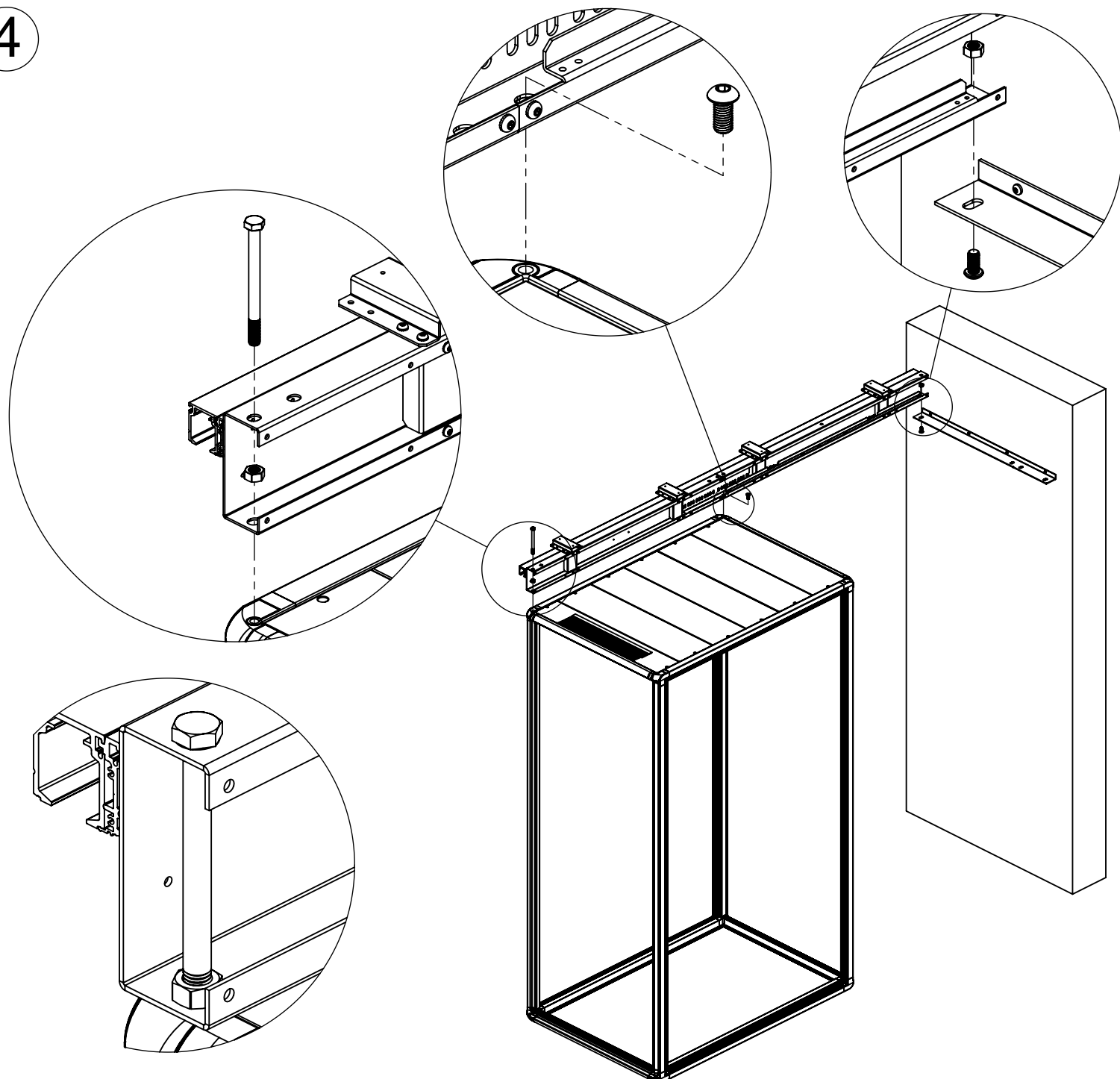


1200

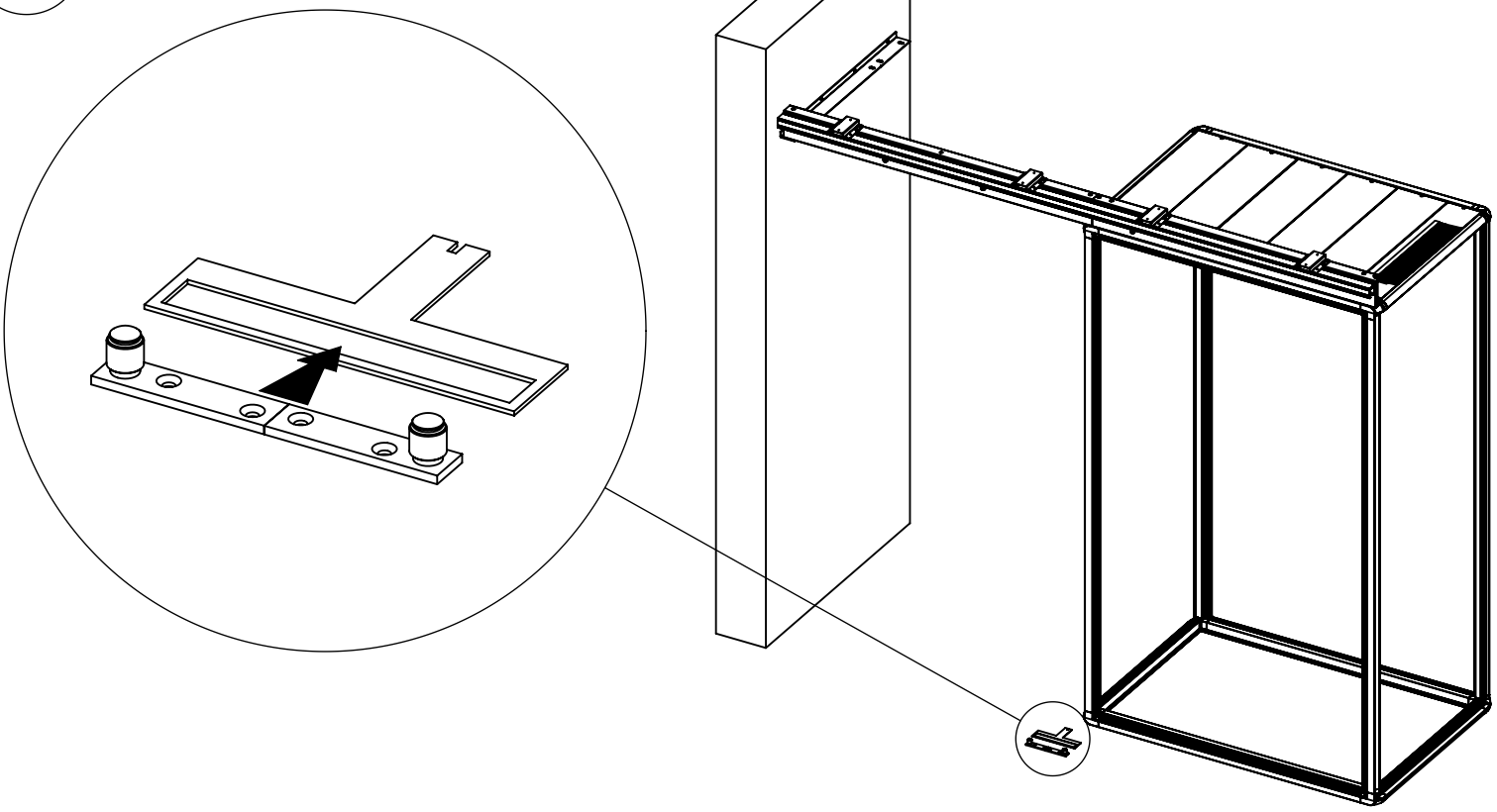
3



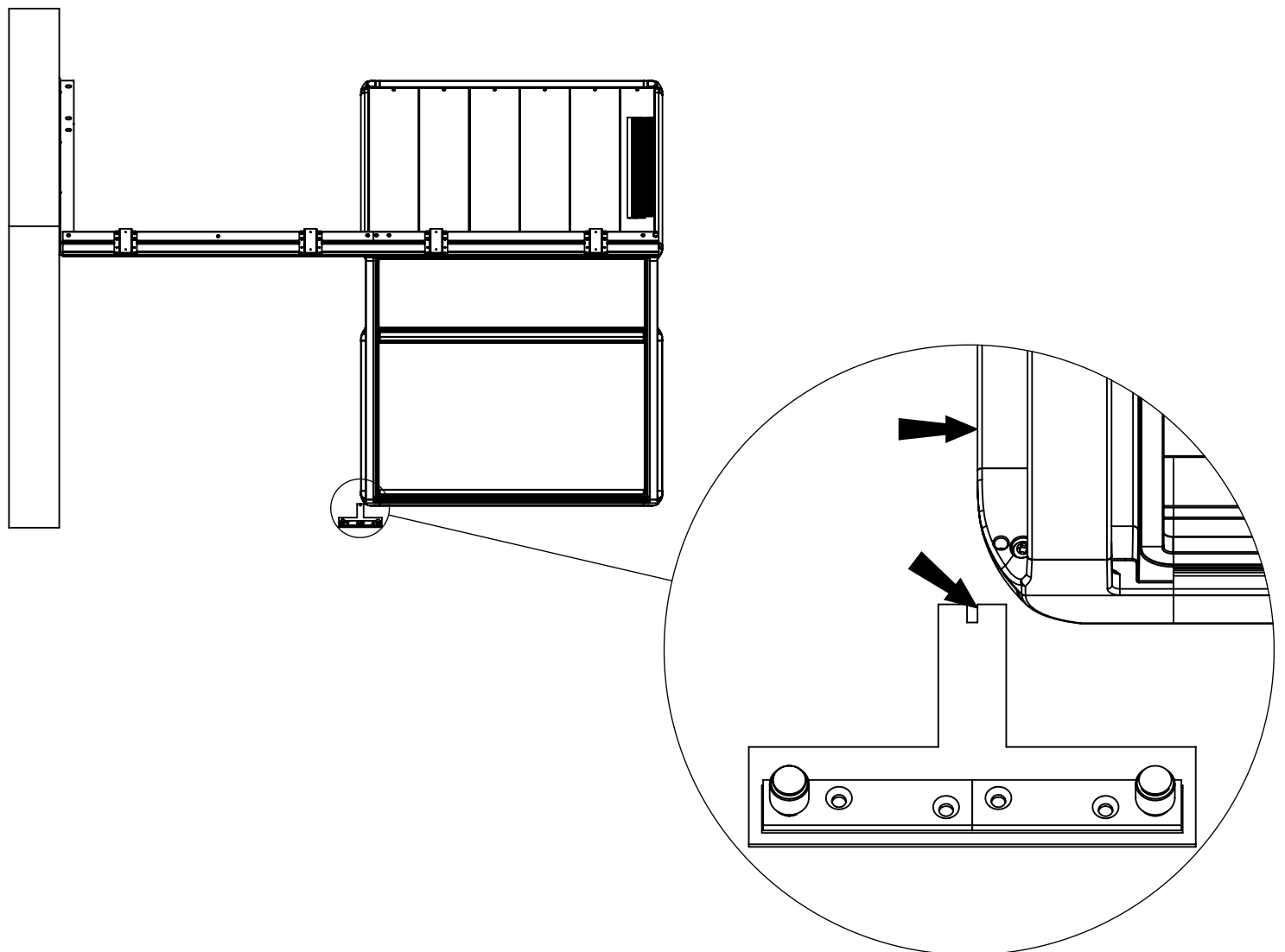
4



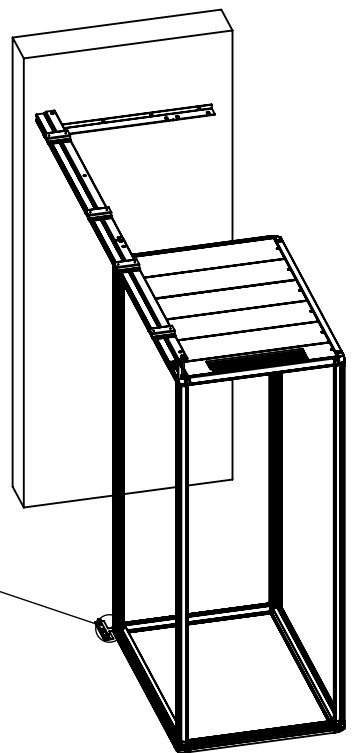
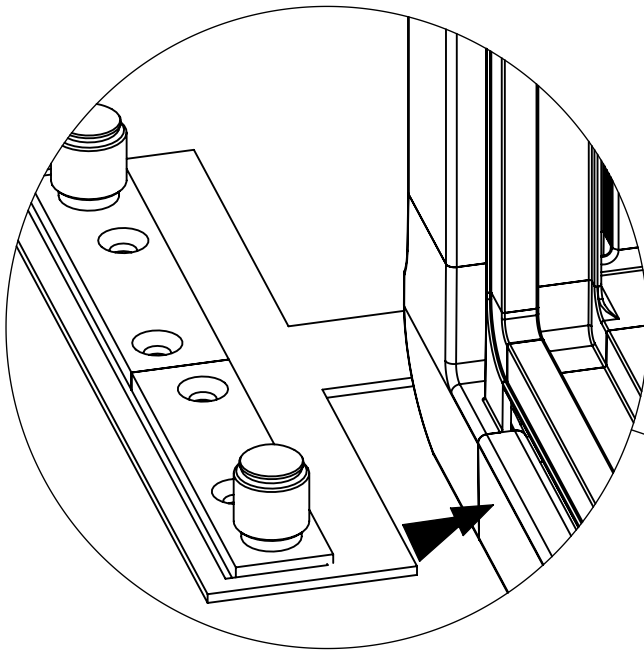
5a



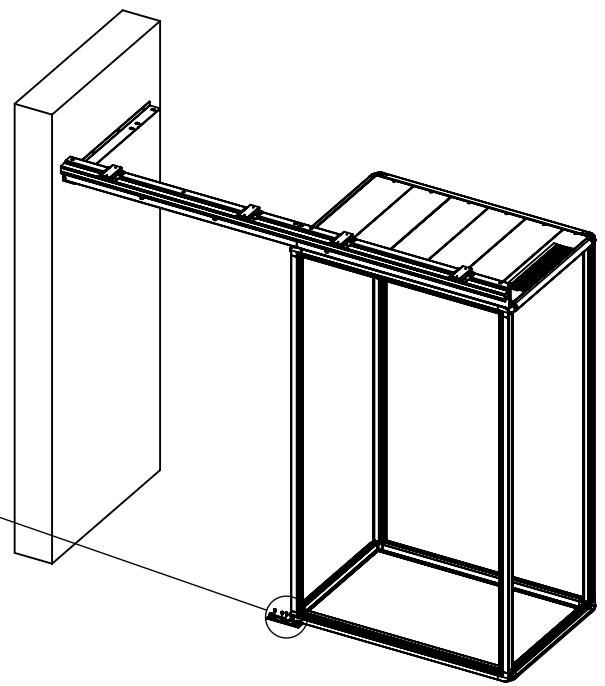
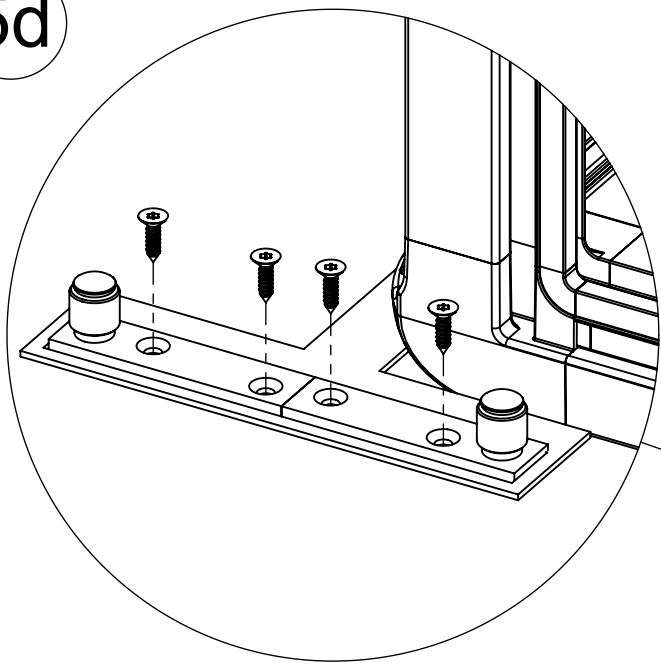
5b



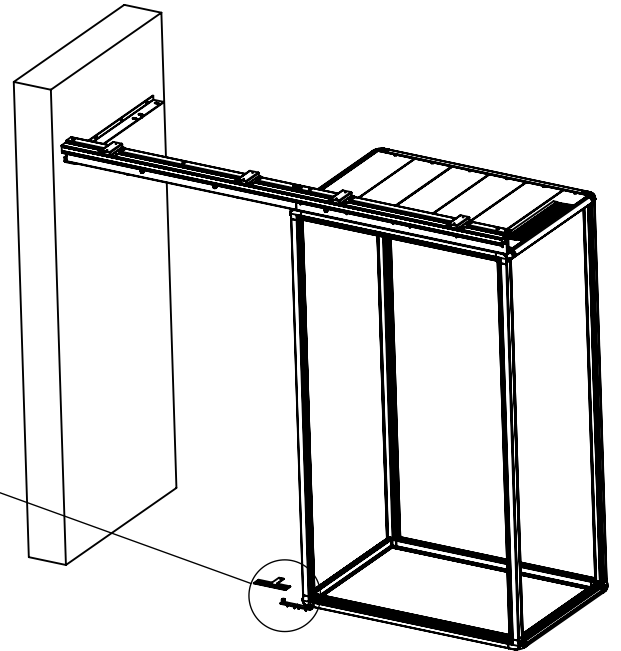
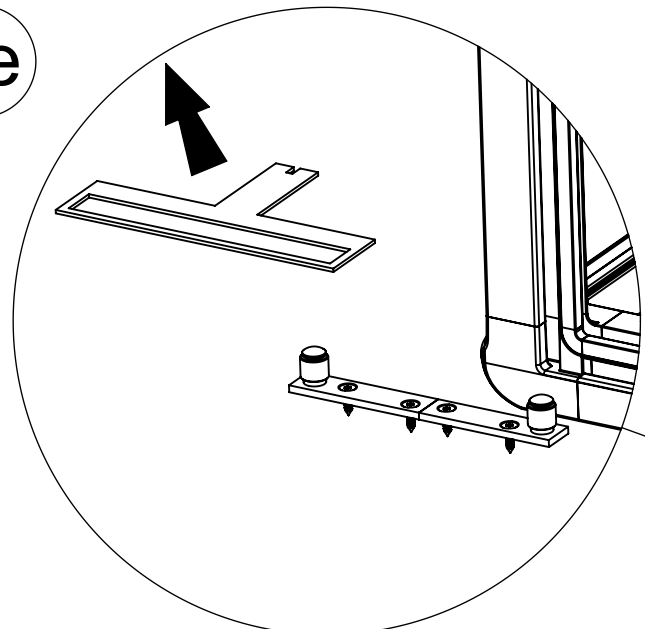
5c



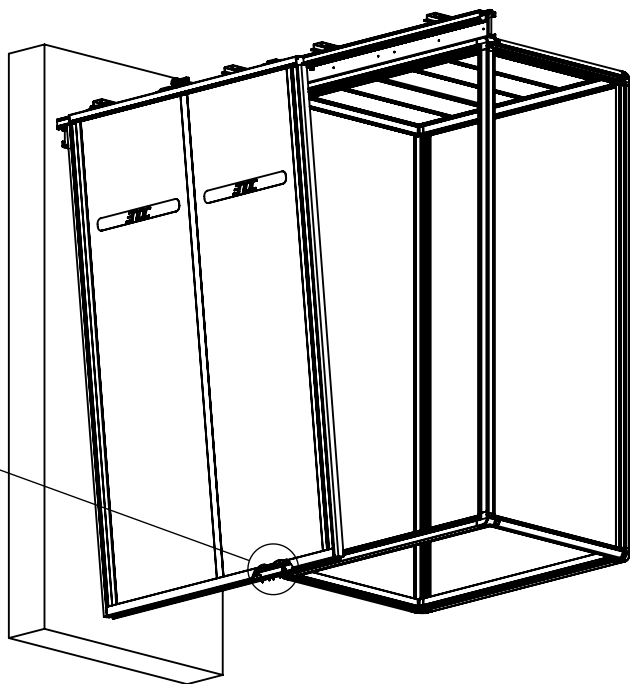
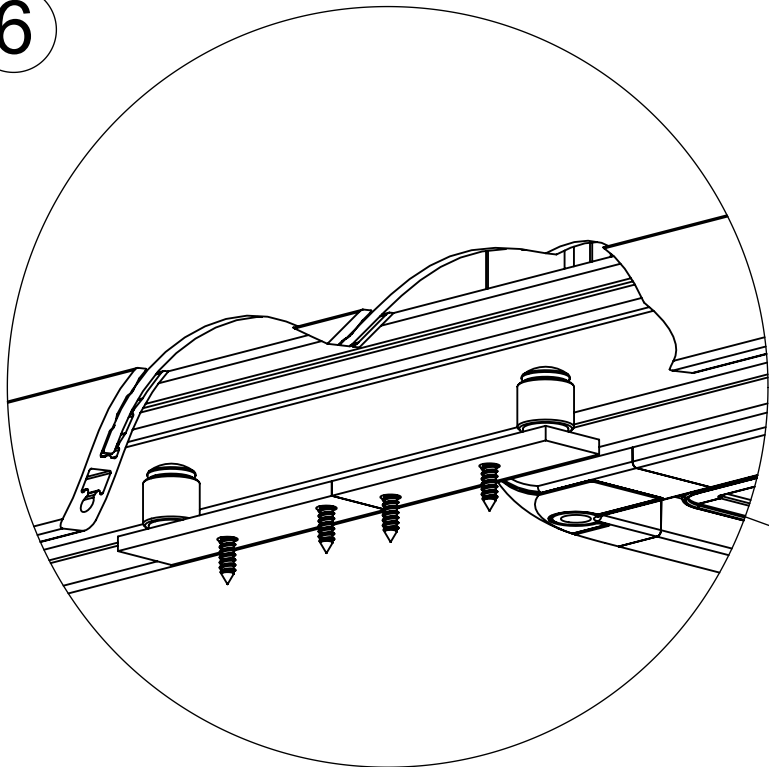
5d



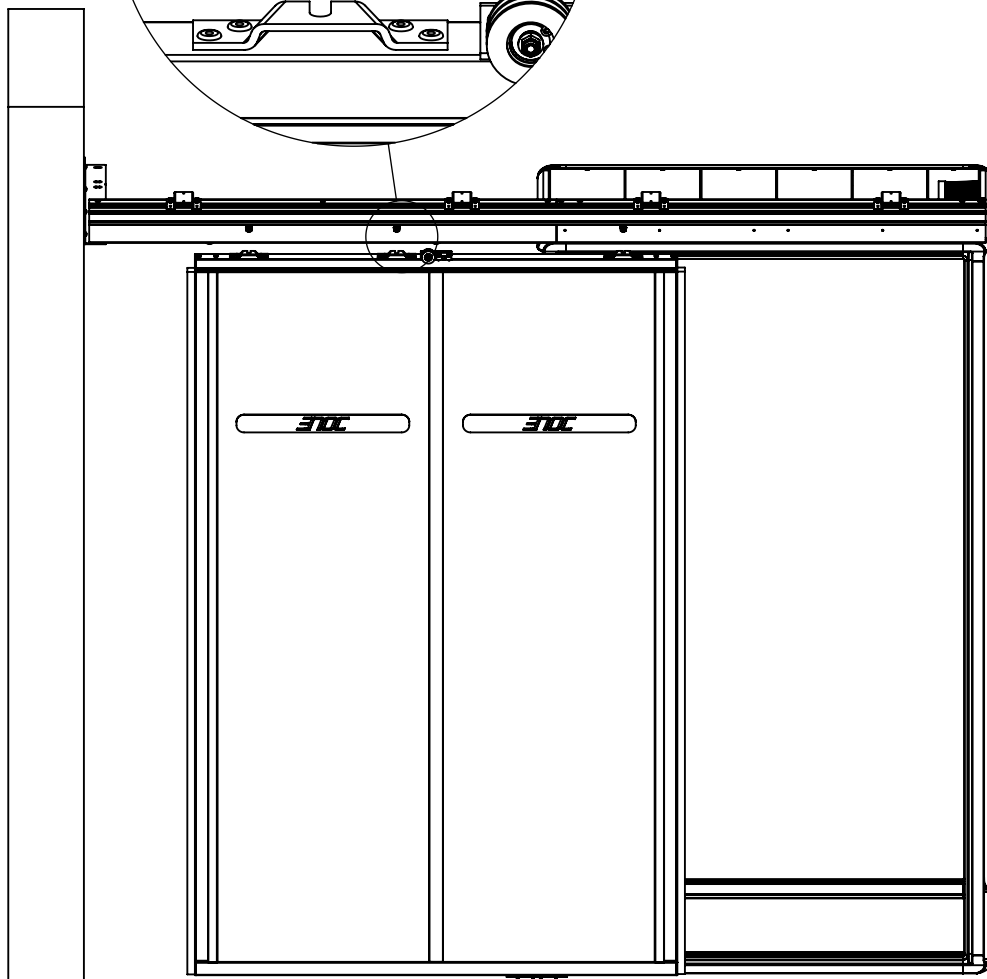
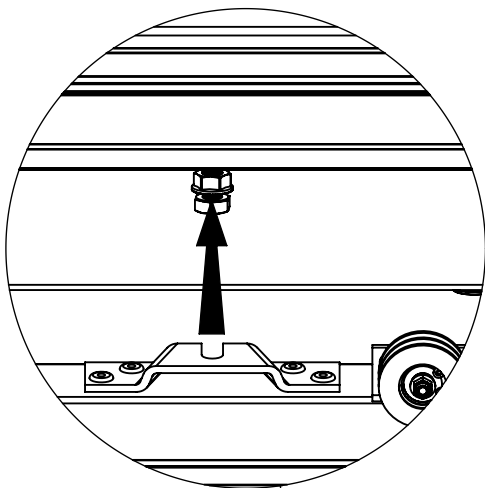
5e



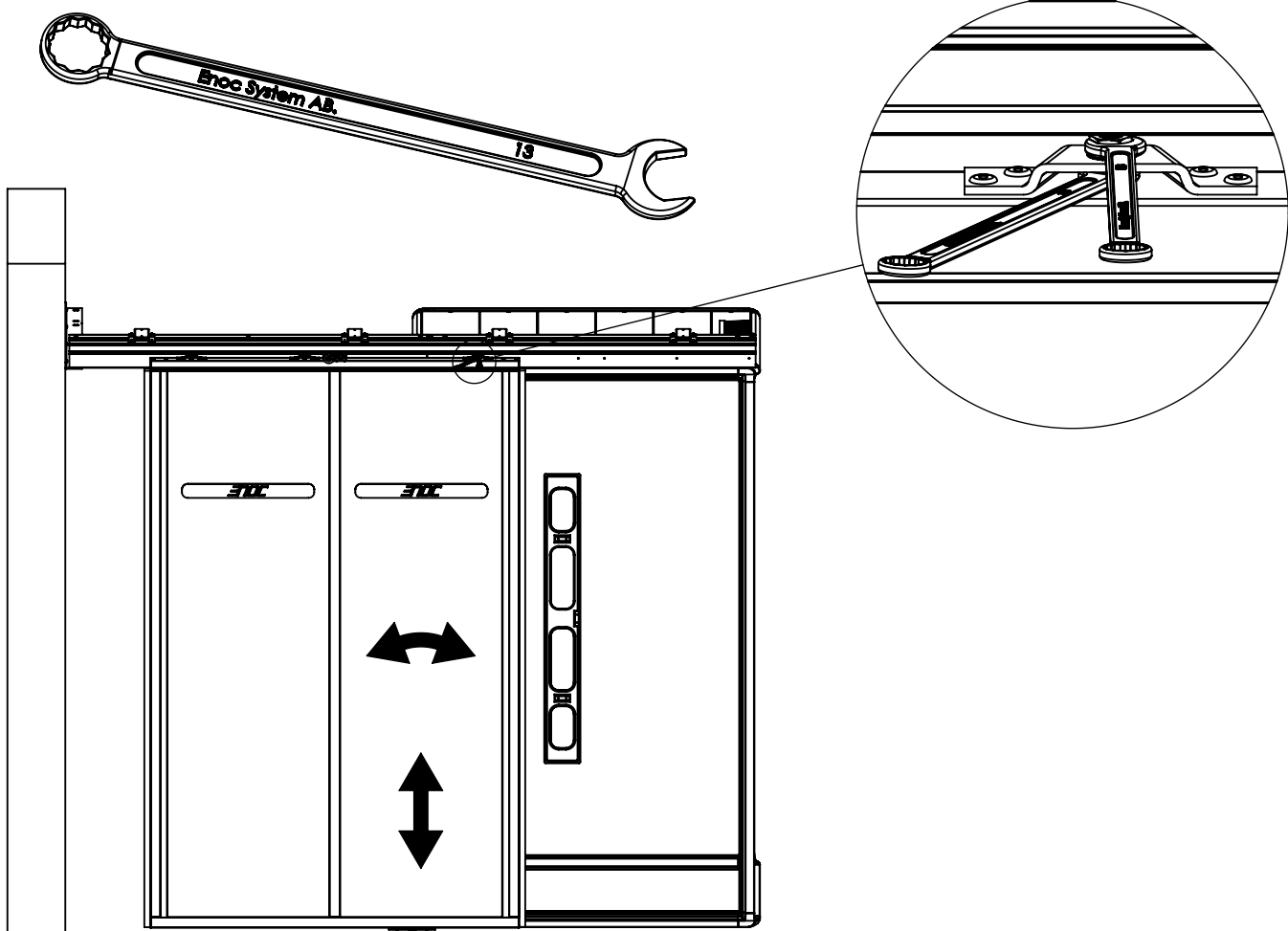
6



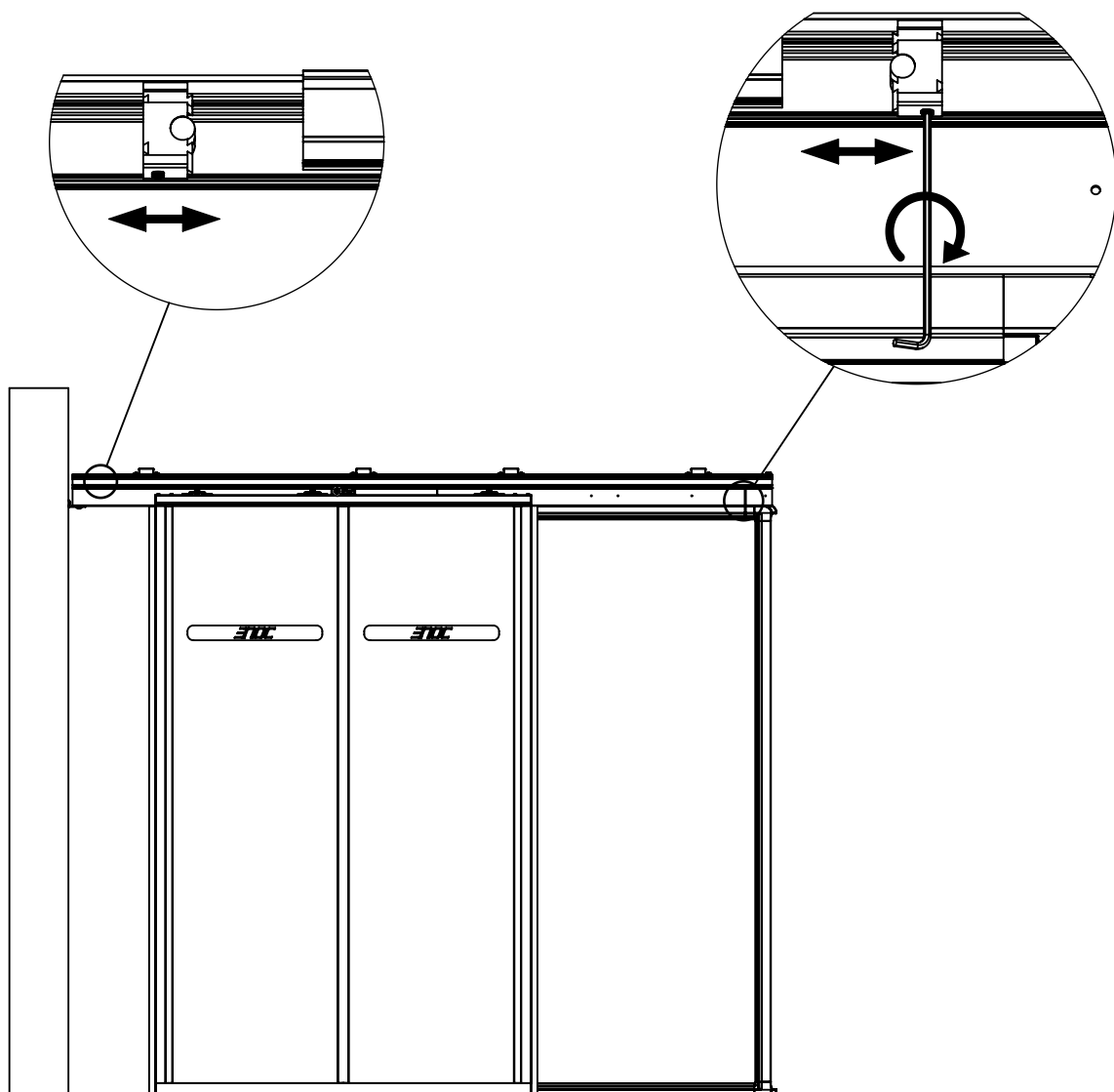
7



8

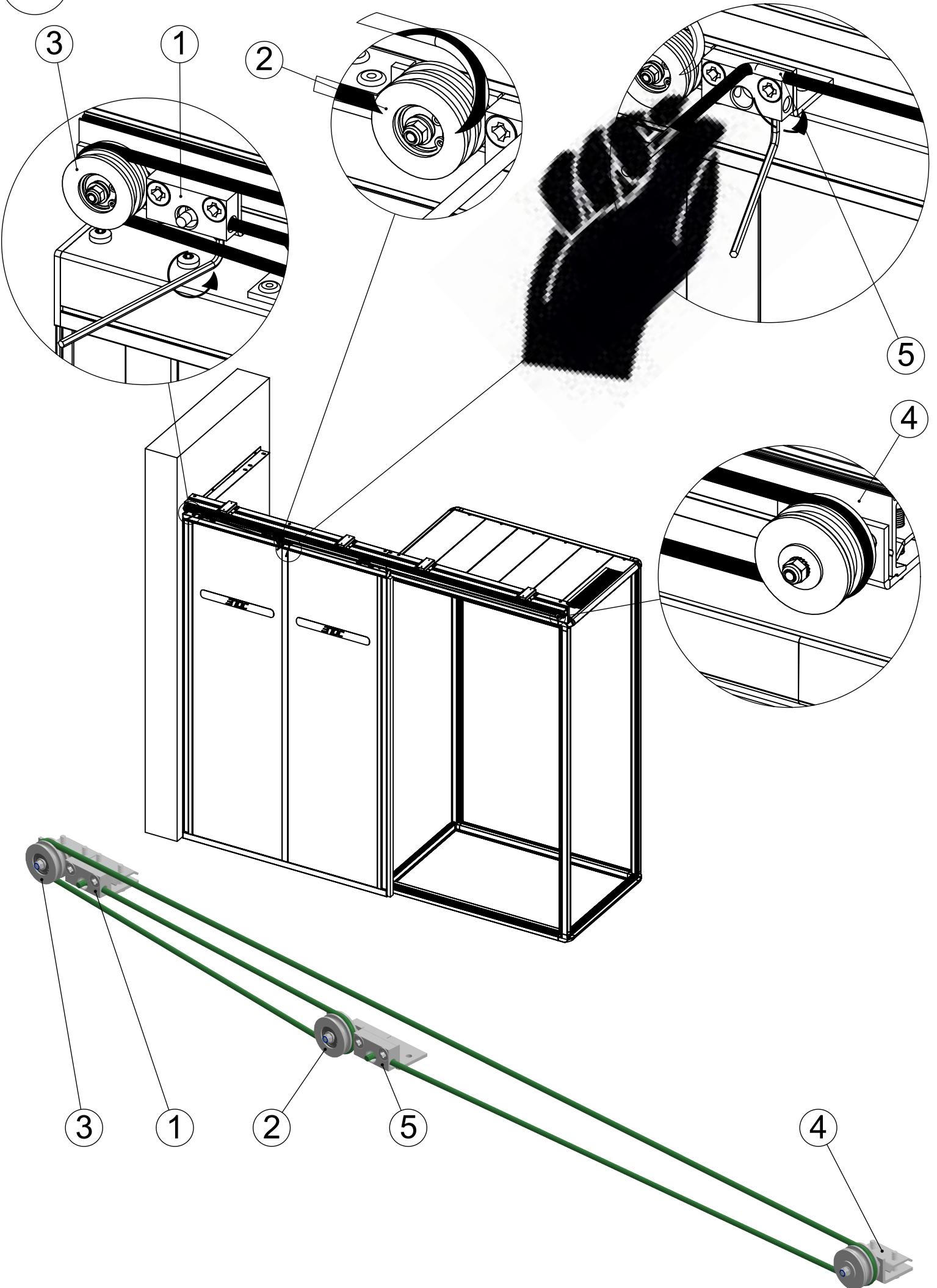


9



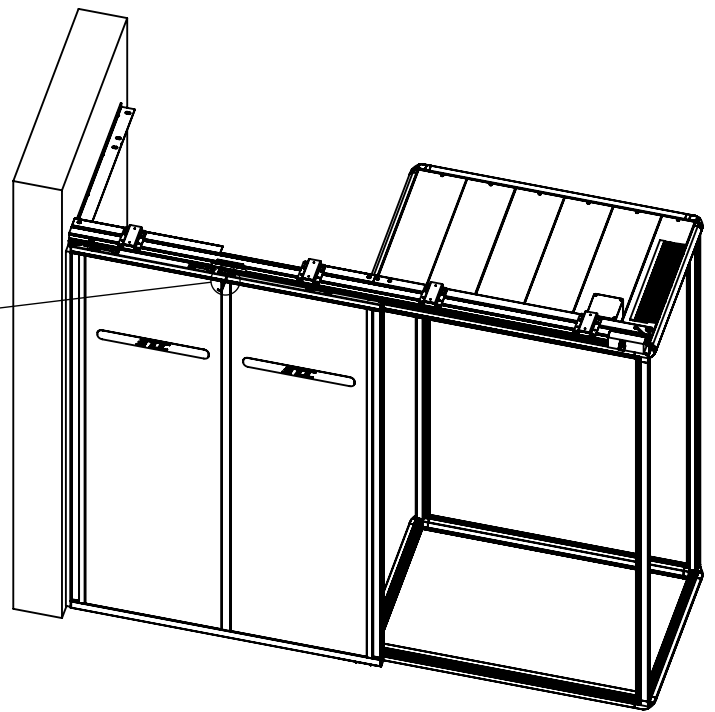
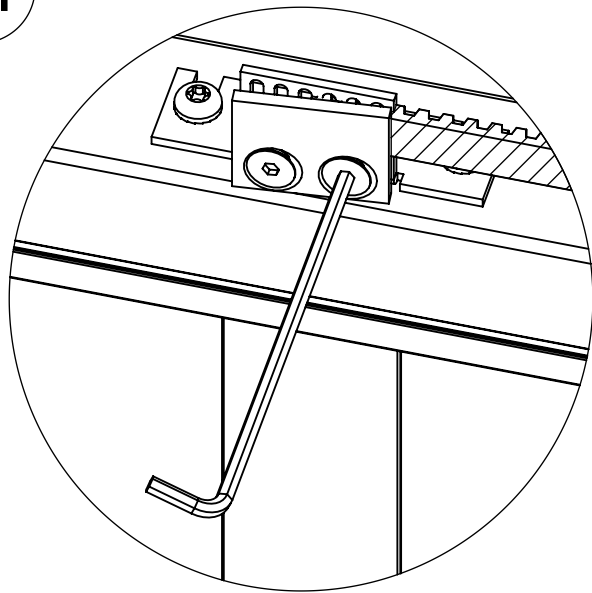
10

Self Closing

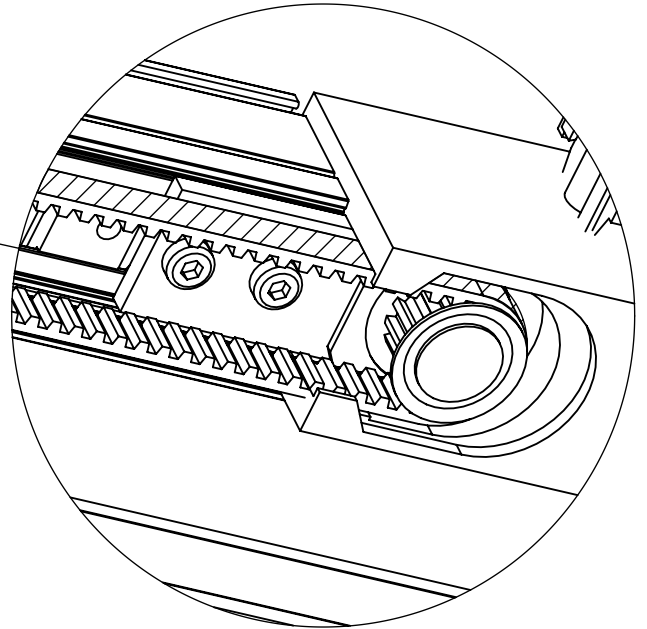
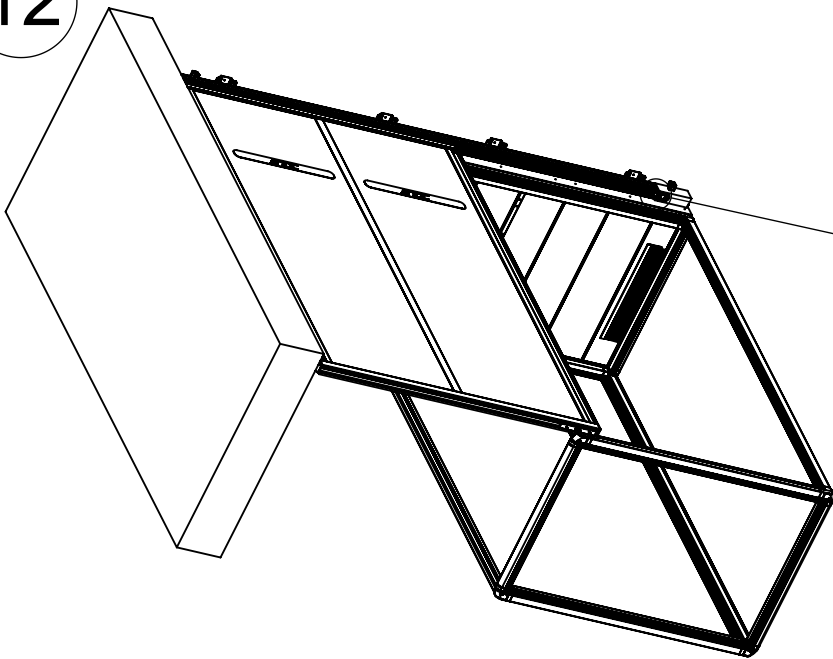


11

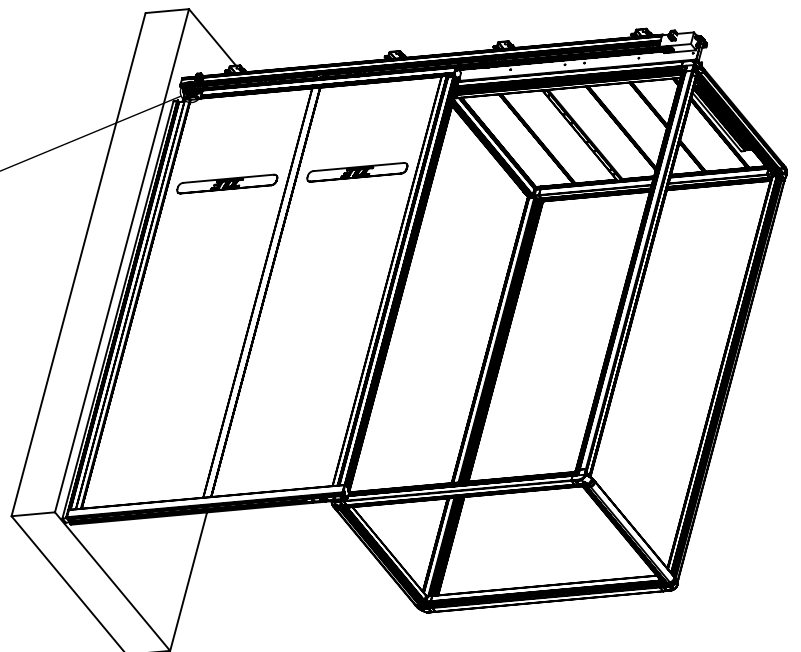
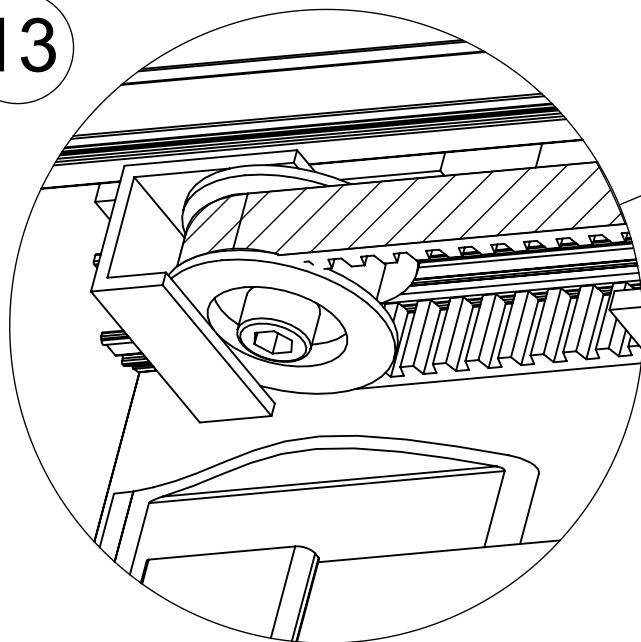
Automatic



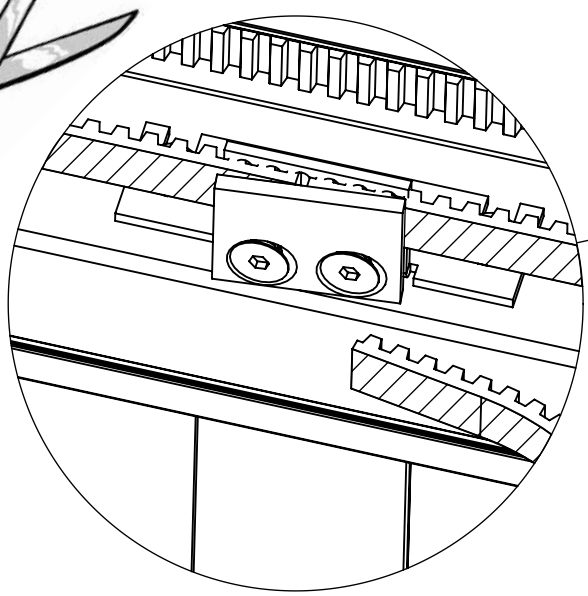
12



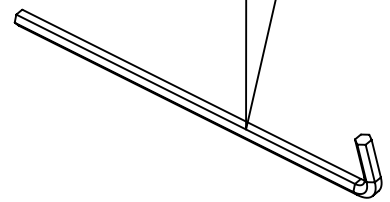
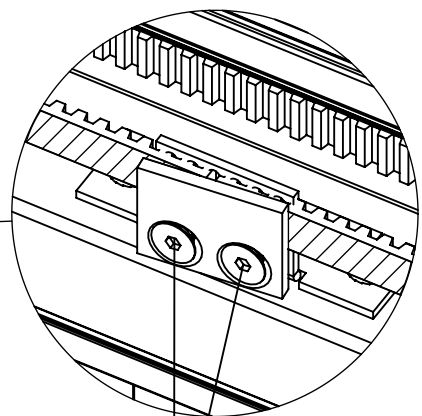
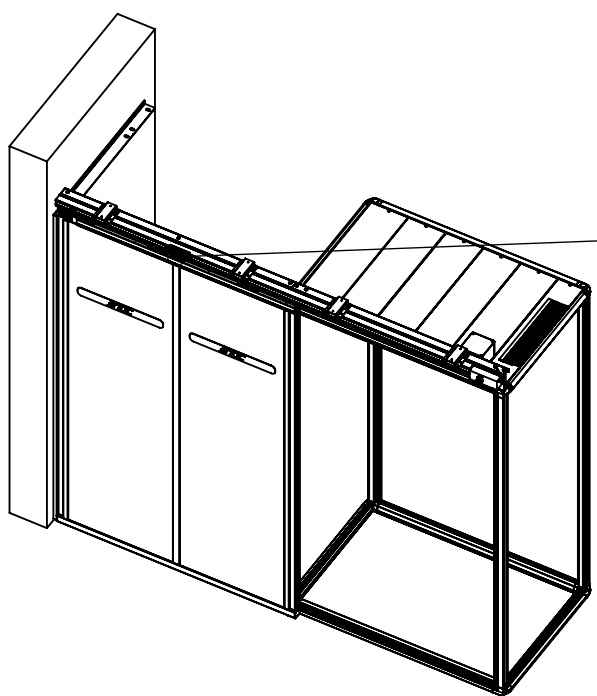
13



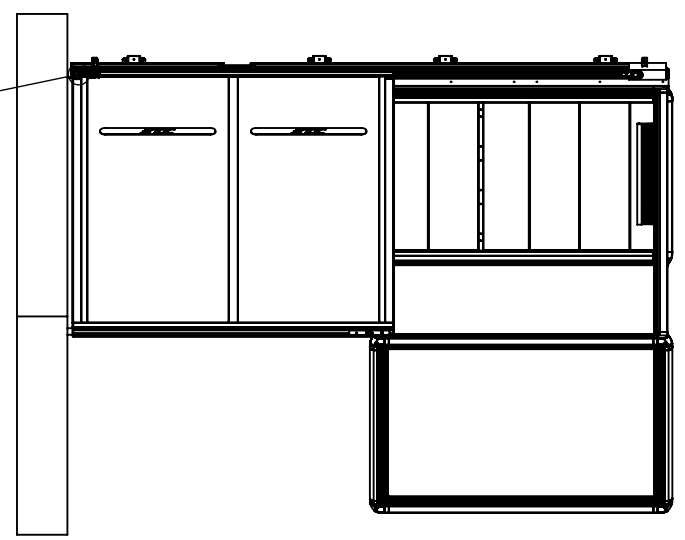
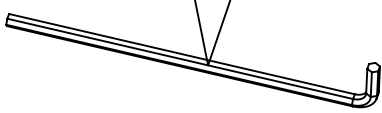
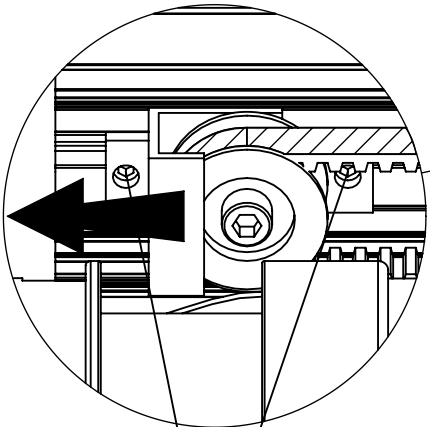
14



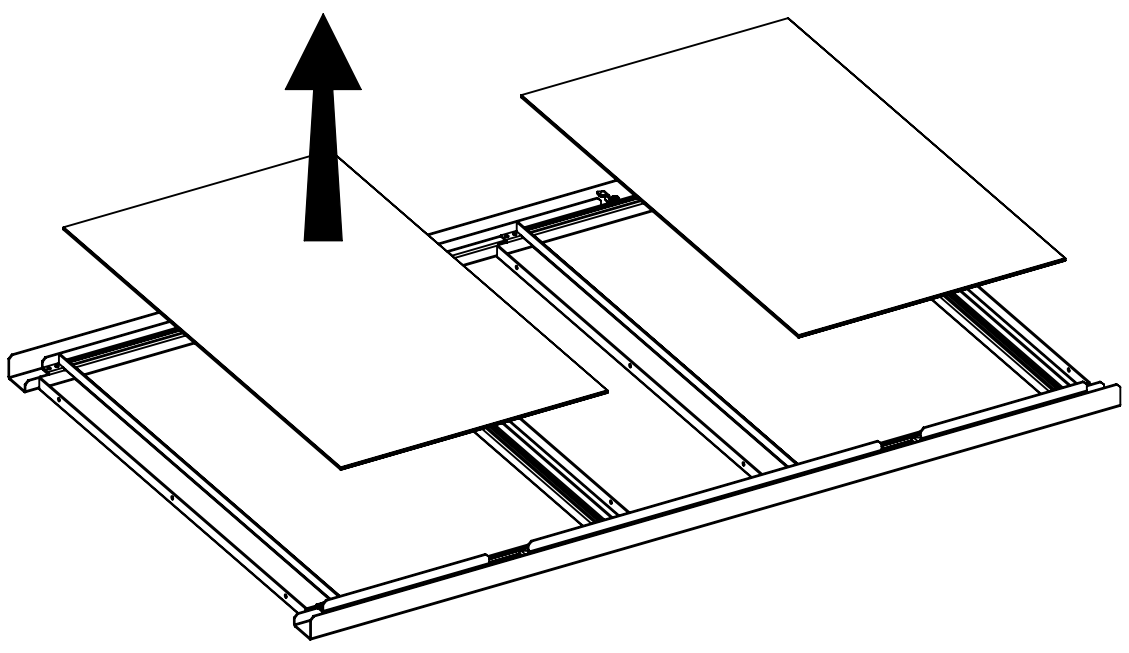
15



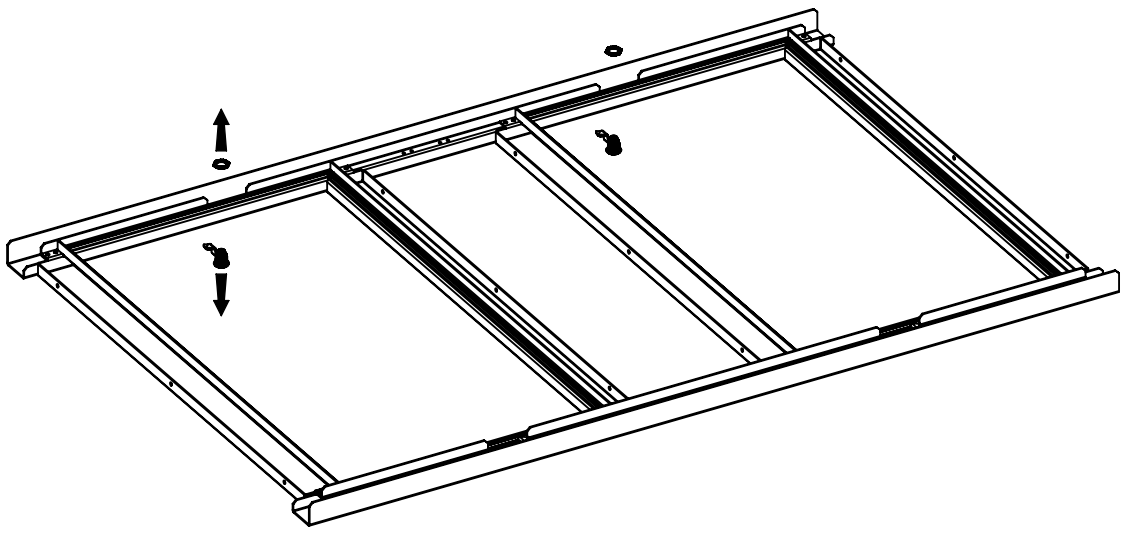
16



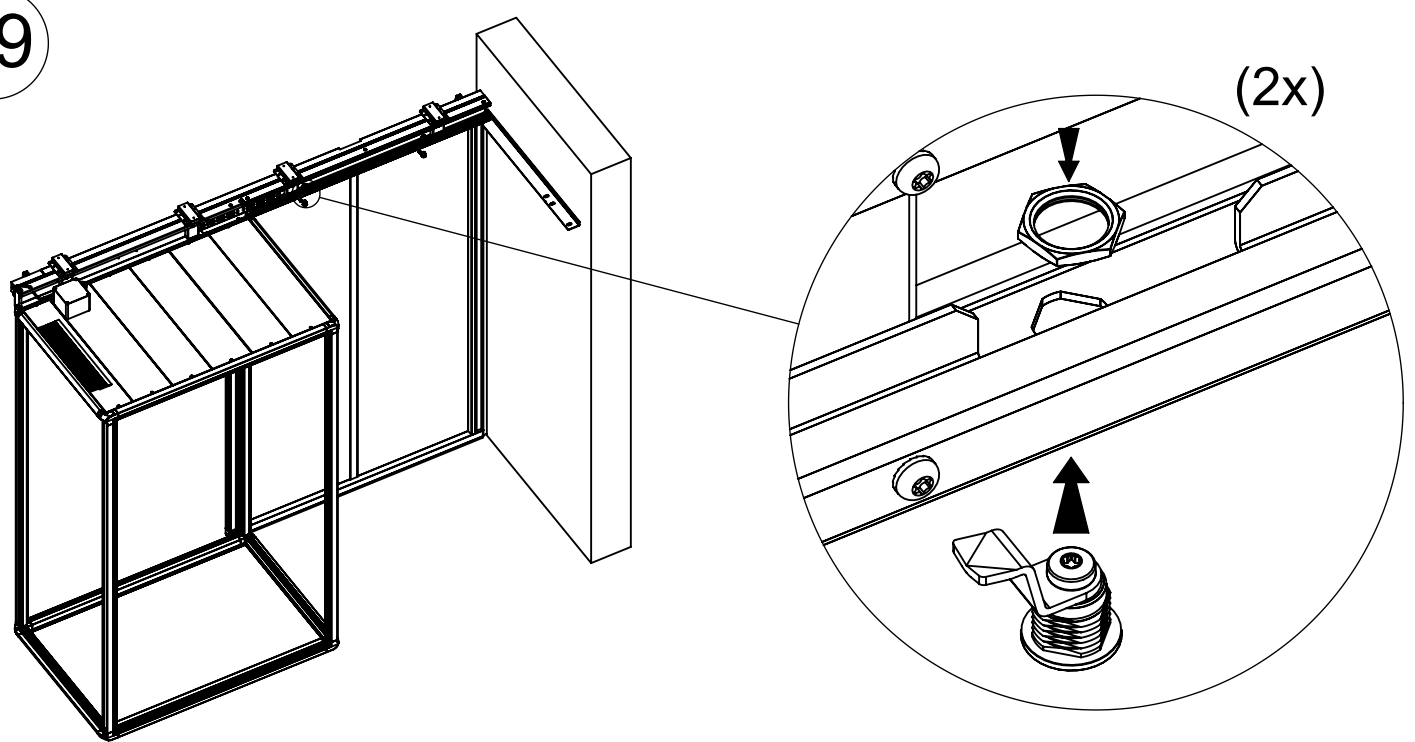
17



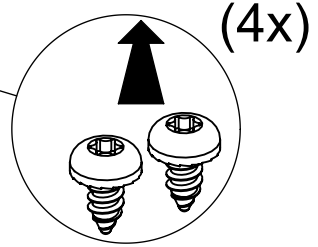
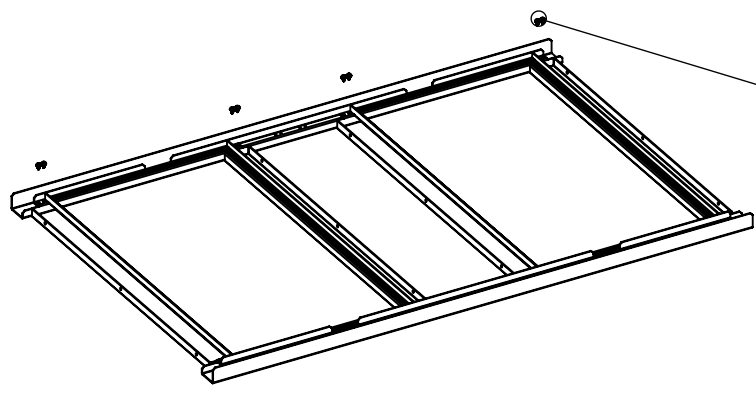
18



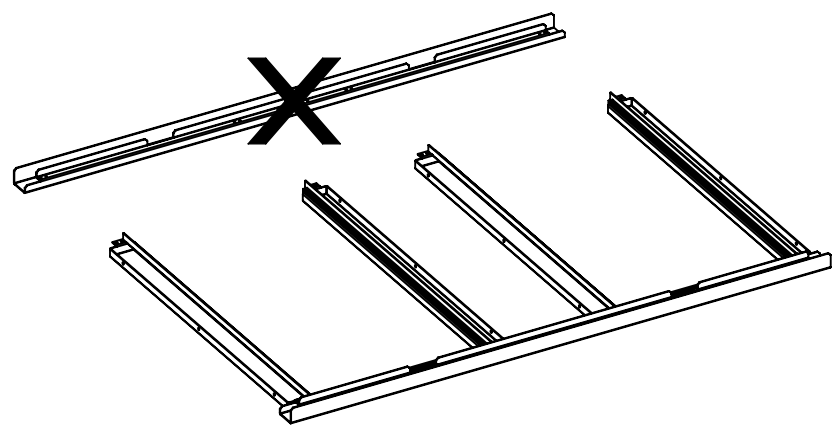
19



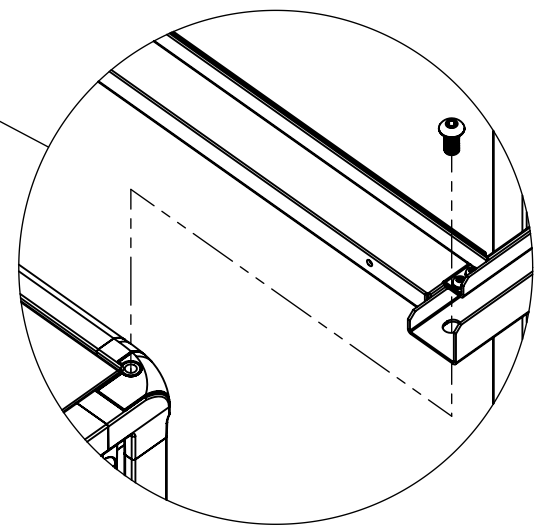
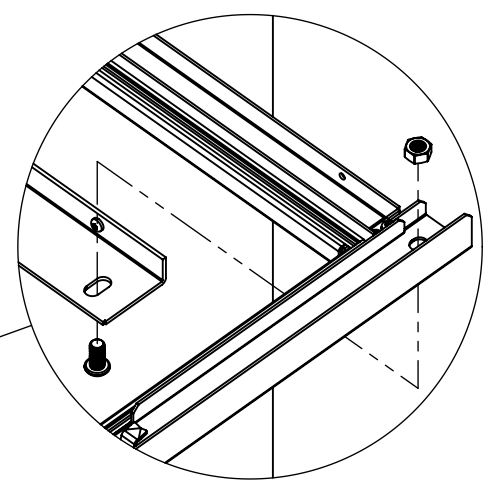
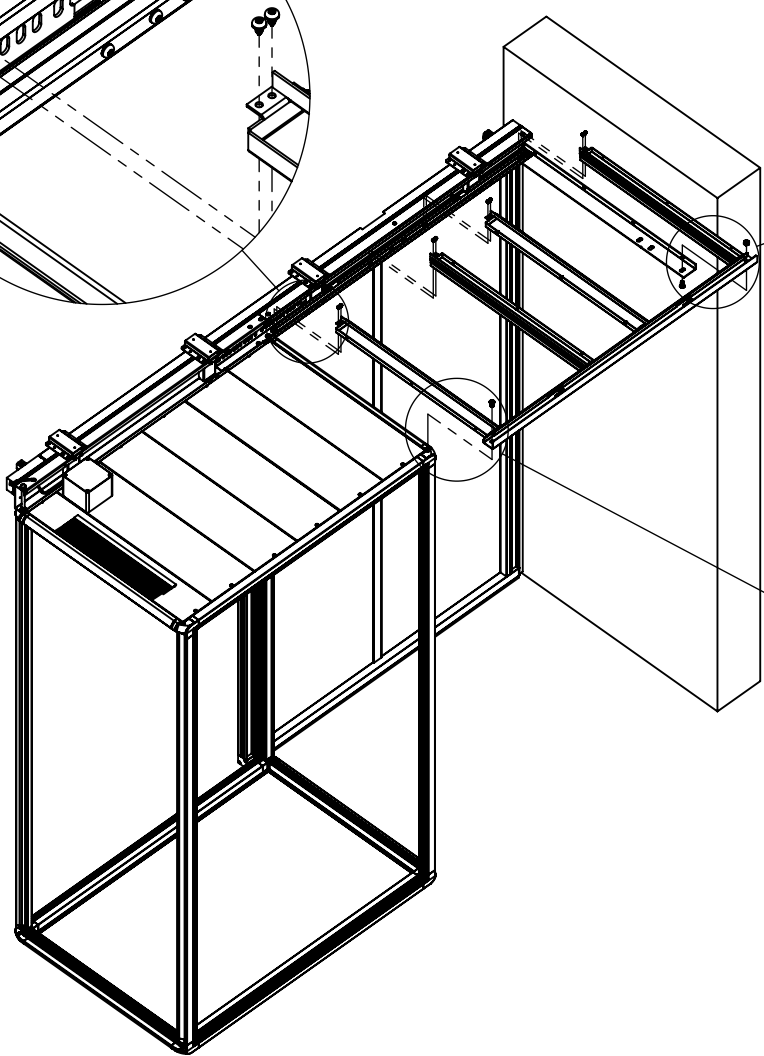
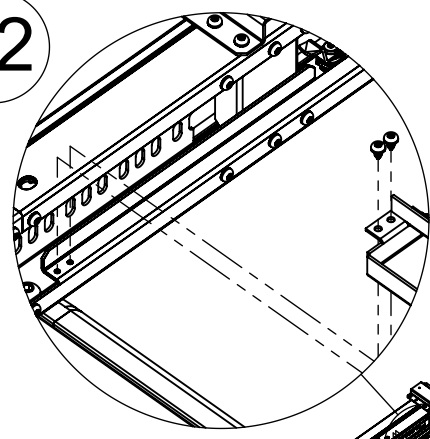
20



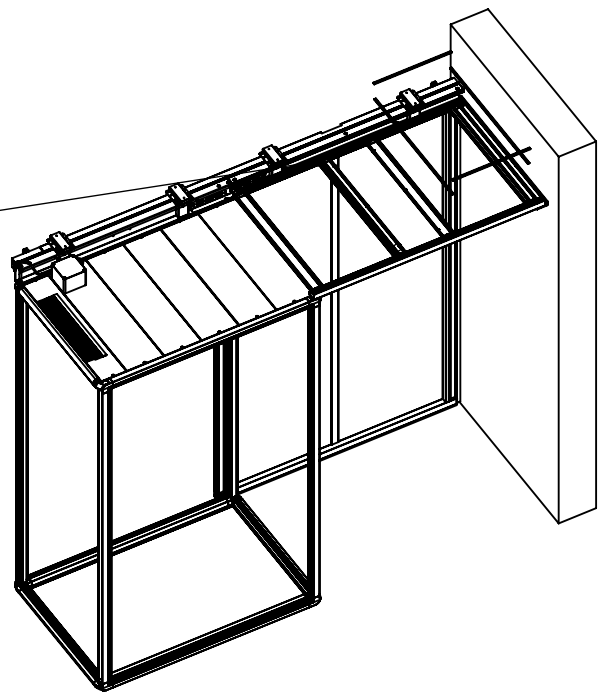
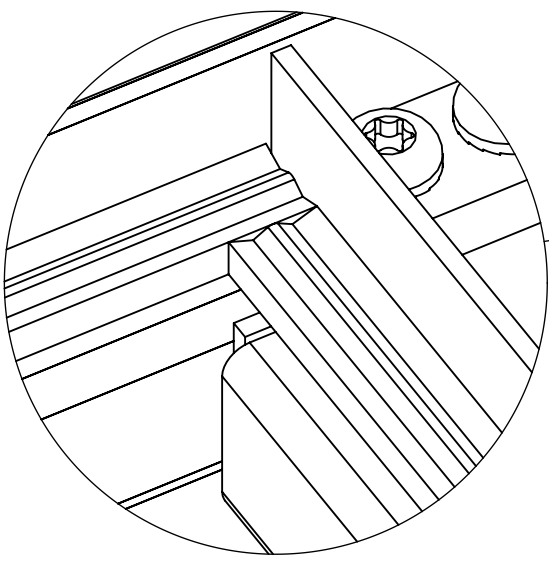
21



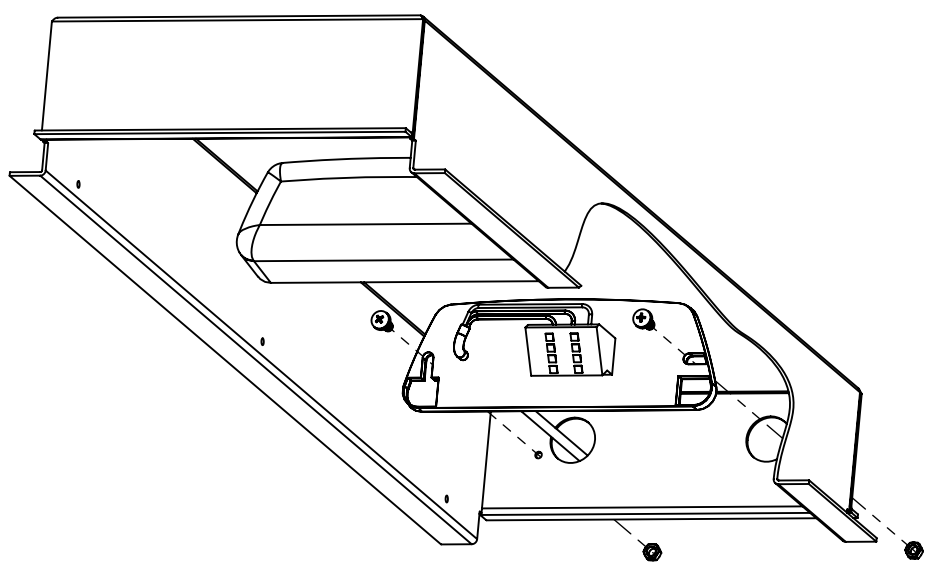
22



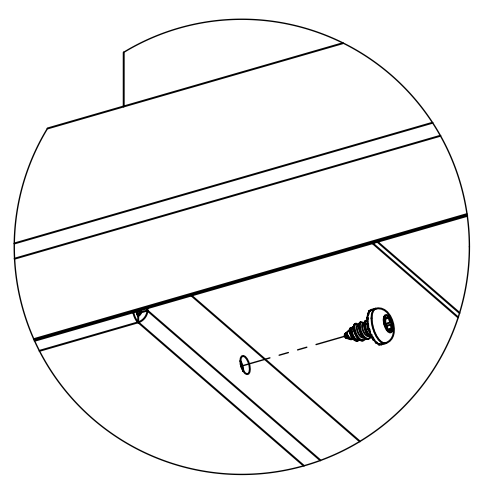
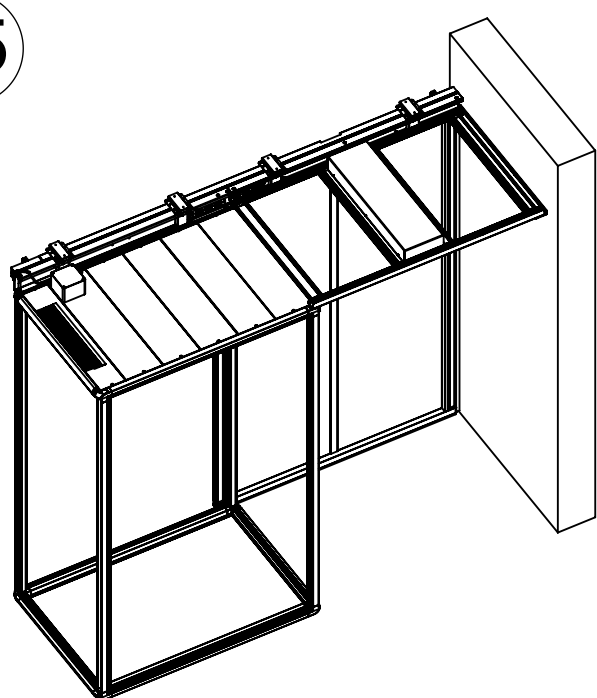
23



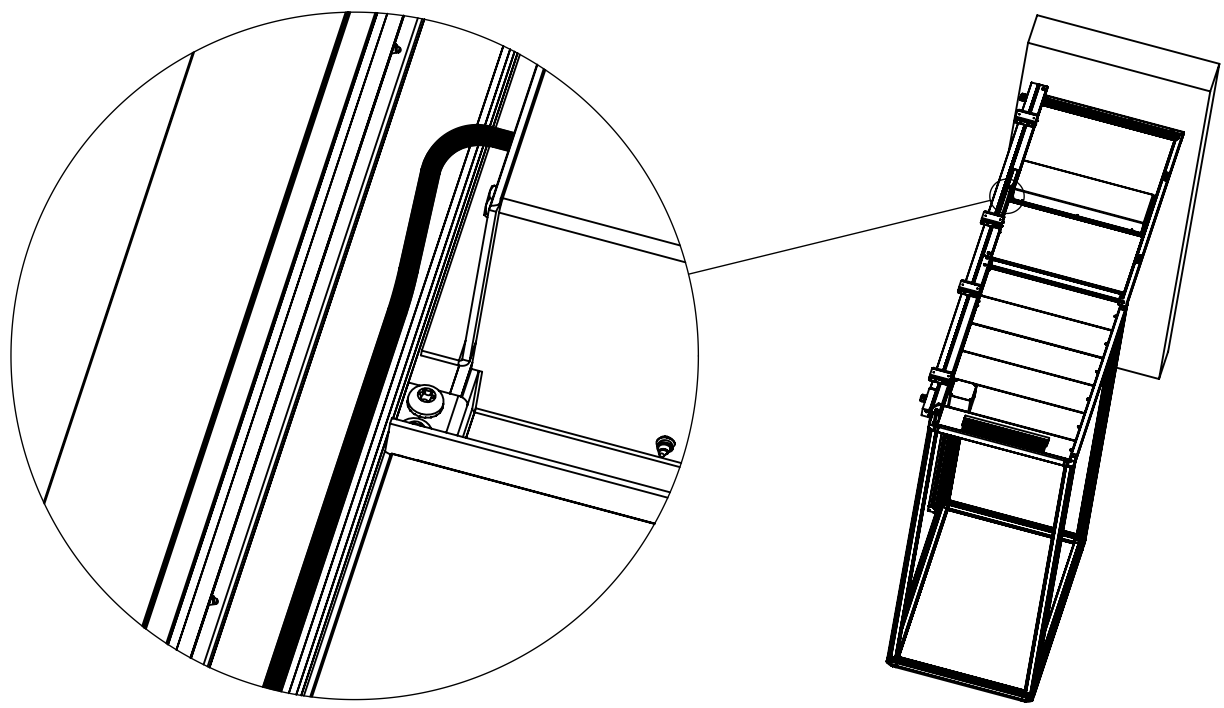
24



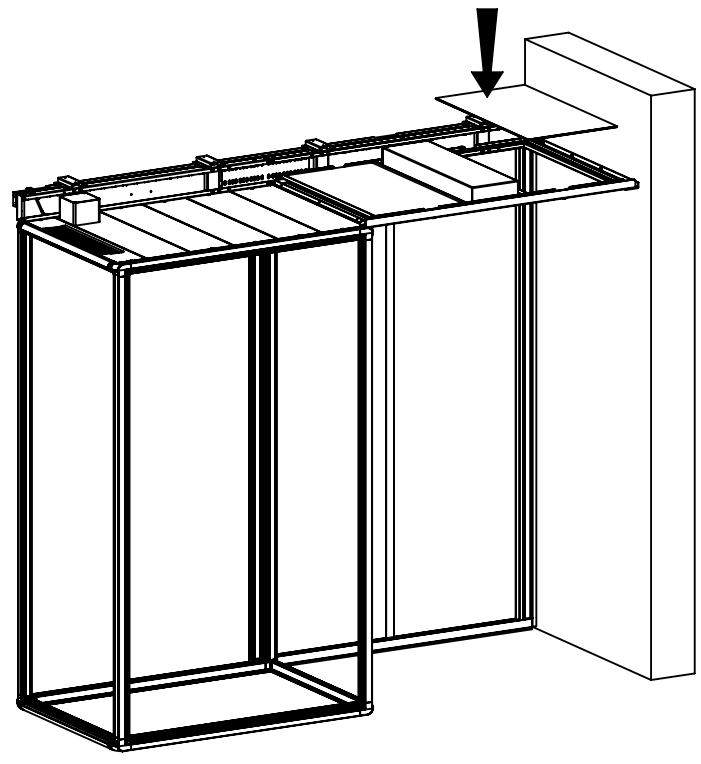
25



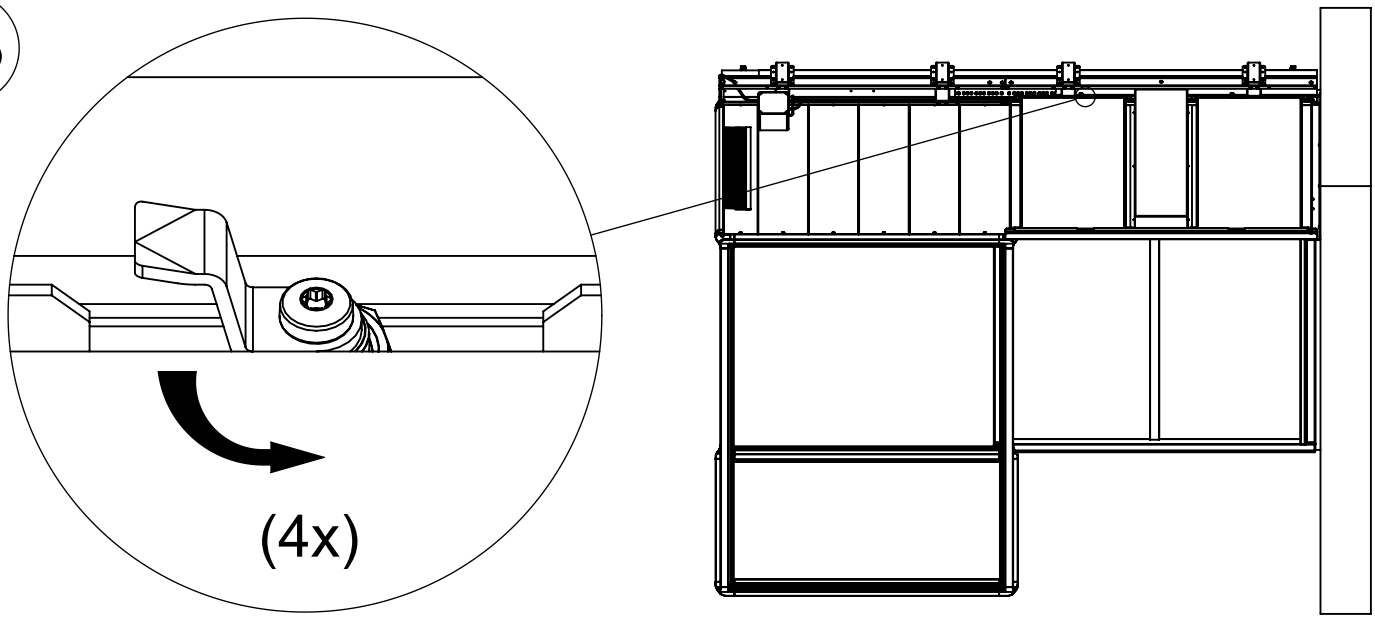
26

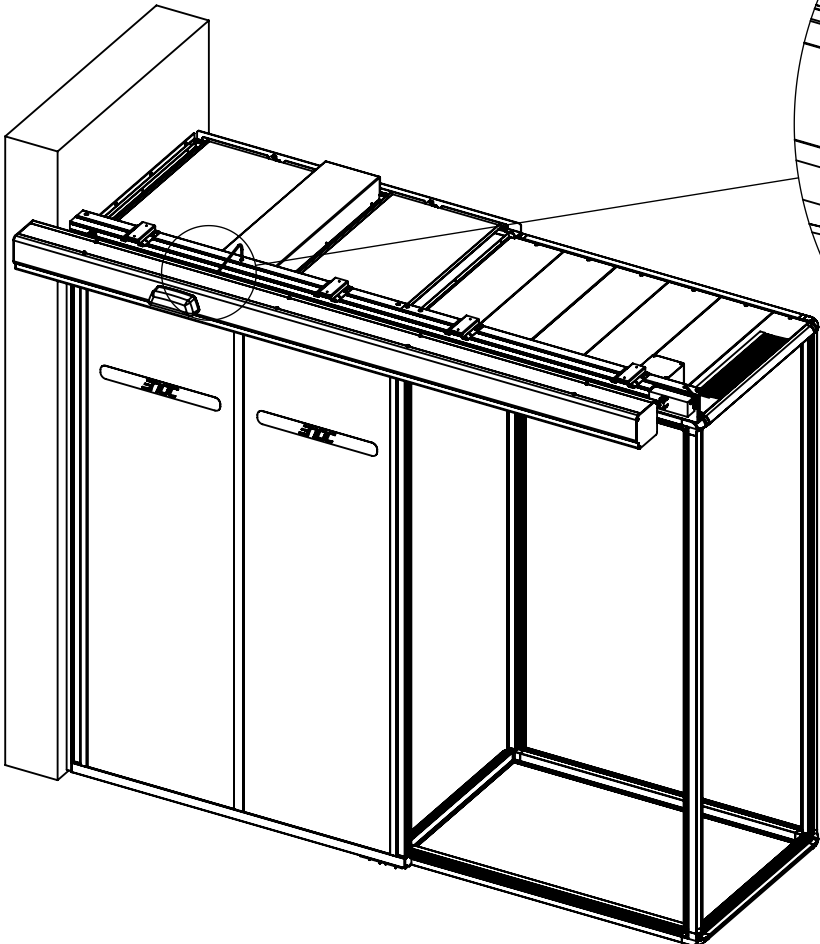
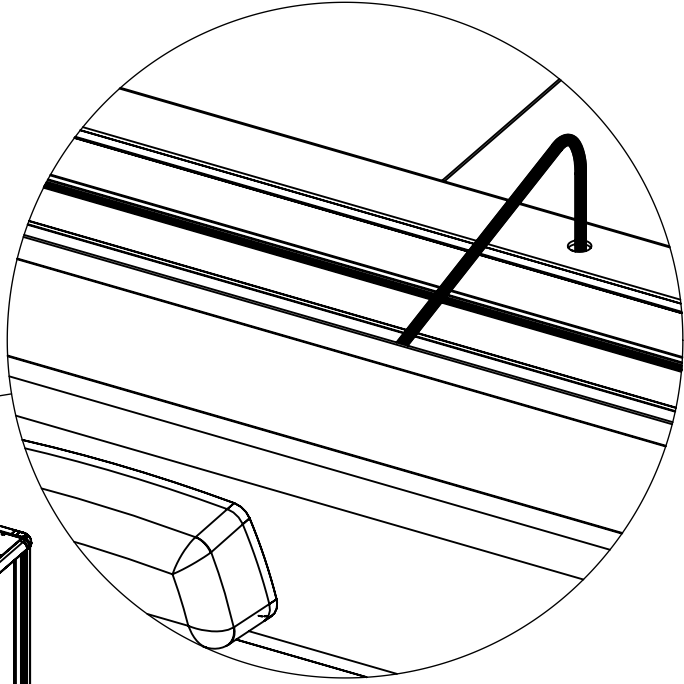
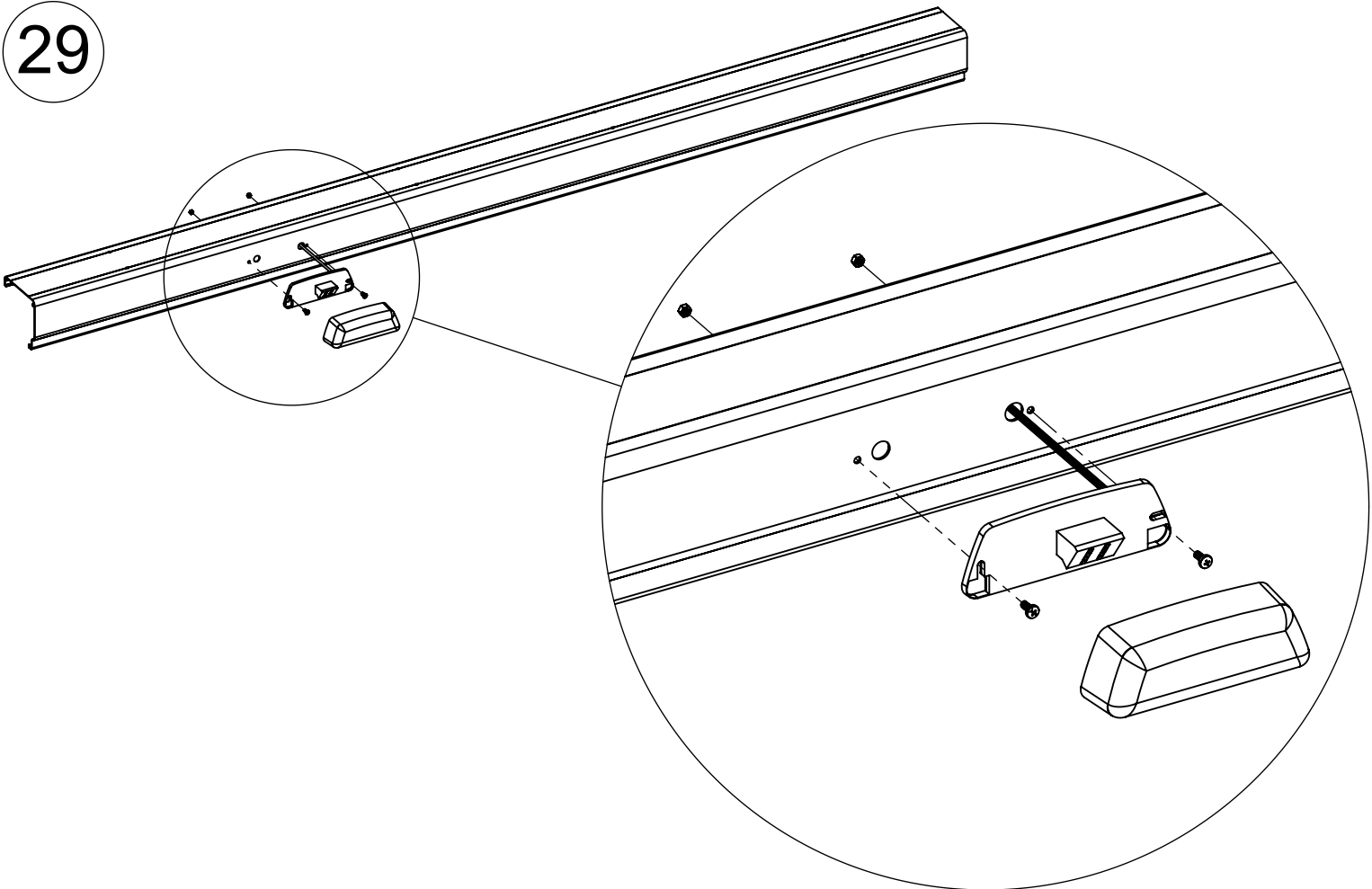


27

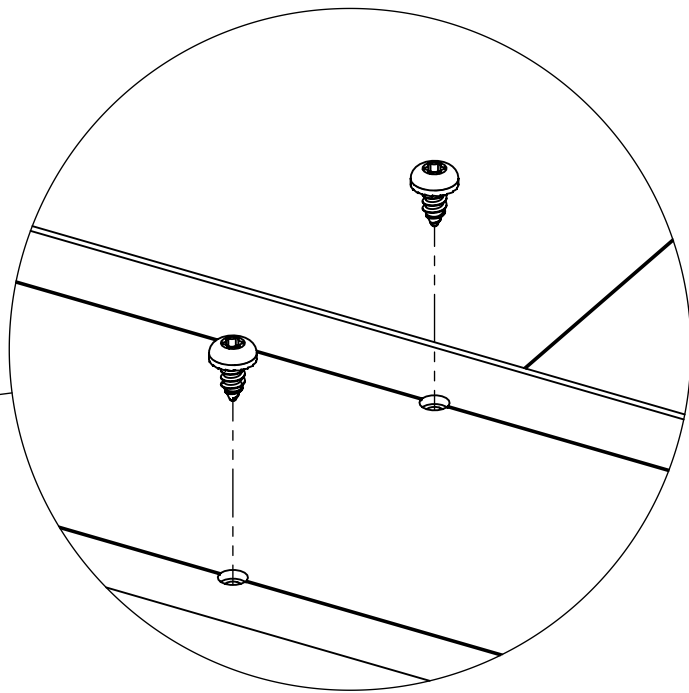
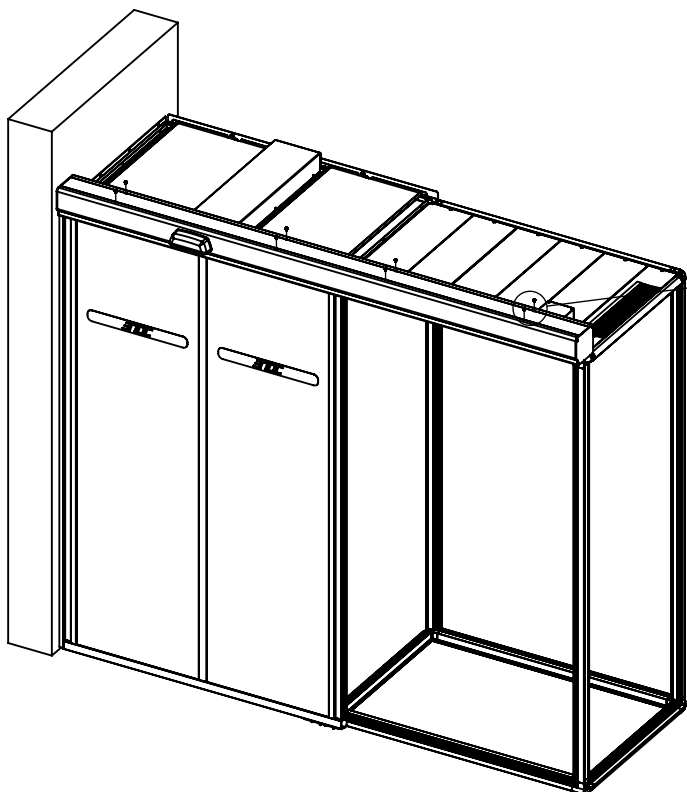


28

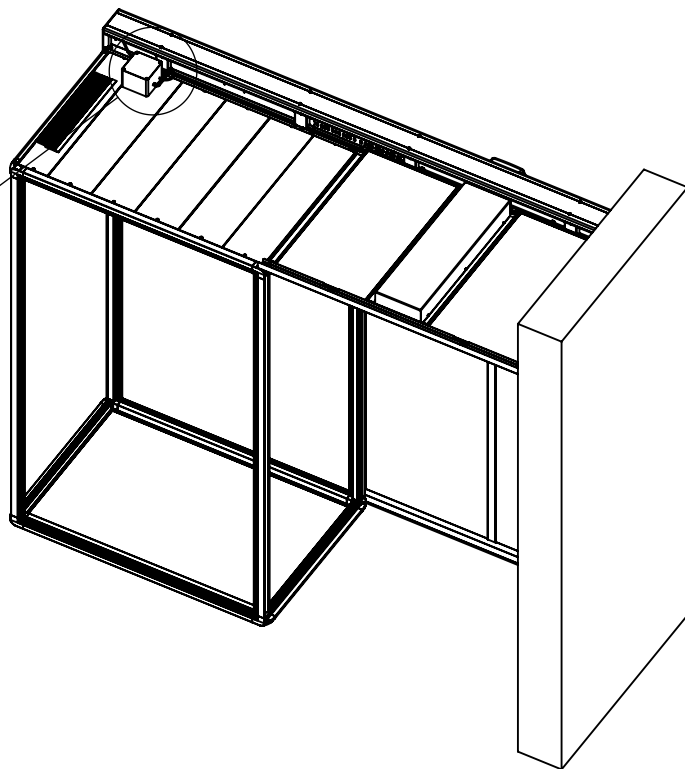
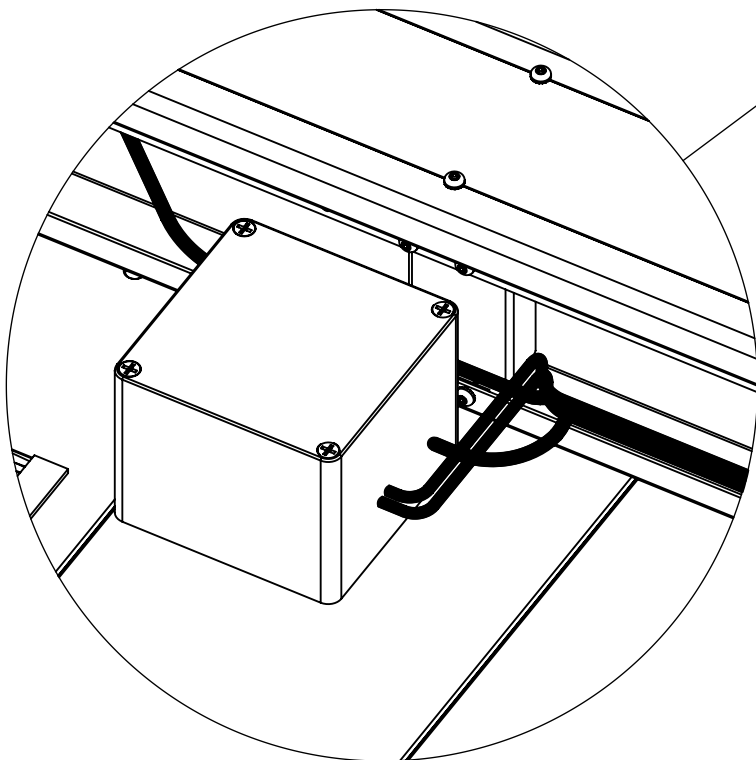




30



31



ENOC
SYSTEM