

S07 1U Black Sliding Patch Panel - 12 Position SC duplex up to 24 fibers



This innovative, robust 1U sliding patch panel. This panel has been designed to accept up to 24 fibers housed within a 1U space. With the ability to use a full array of Adaptor types offering a flexible solution to the end user, enabling them to incorporate a multi functional panel which allow easy access during installation or re-work with no disturbance of the existing cable or fibers. In the addition to the array of adapters the panel also offers multiple cable entry solutions, up to 4 standard cable entry points for, loose tube, tight buffer, pre terminated and steel tape armored cable. Each panels has integrated strength member tie positions also with the additional removable plate at the rear of the panel allows the installation of steel tape armored cable.

FEATURES/BENEFITS

- Up to 24 fibers in 1U
- Multiple Adaptor options available
- 12 Adaptor positions
- Individually labeled ports
- 45° open working angle
- Accepts loose tube, distribution and pre terminated cables
- RoHS, REACH SvHC and UL rated
- Fits standard 19"

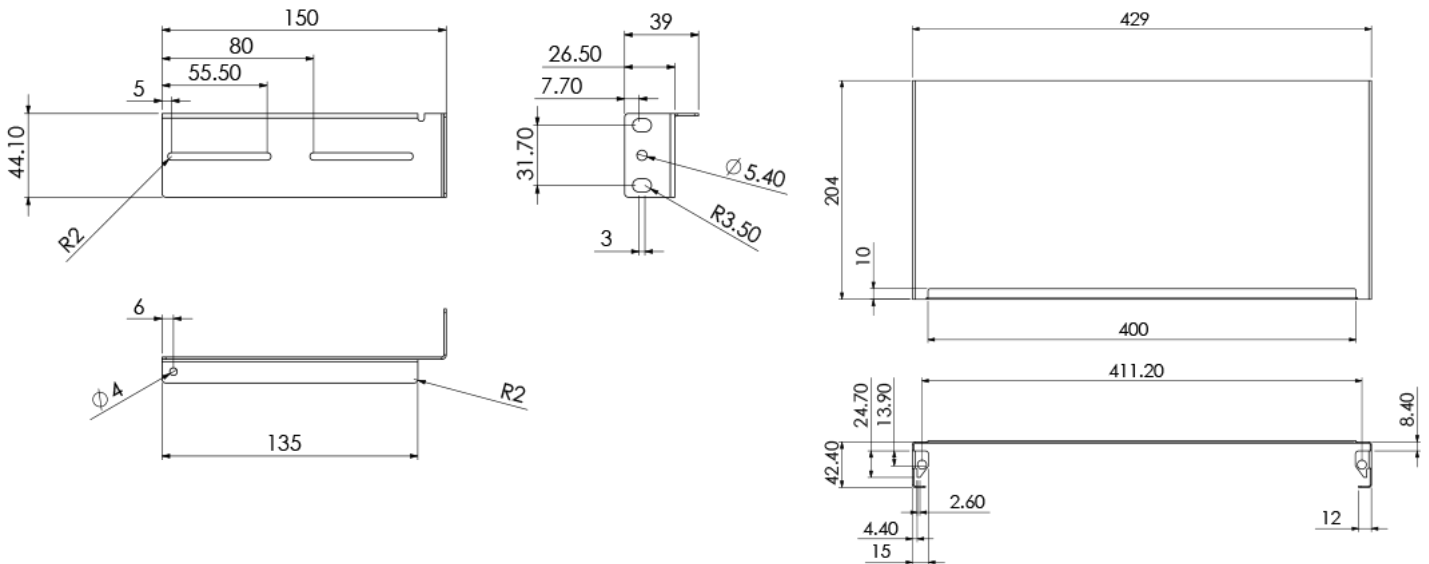
APPLICATIONS

- Data centers, premise installations, telecommunication networks
- Ethernet, Fiber Channel, ATM, LAN, MAN and WAN
- Data communication
- Indoor applications

SPECIFICATIONS

ELEMENT	CHARACTERISTIC
U Size	1U (44.4mm)
Width	482mm
Depth	205mm
Net weight	2.5 kgs
Packaged weight	3 kgs
Packaged dimensions	530mm W X 55mm H x 260mm D
IP rating	IP20
Suitable for Adaptor type	SC Duplex
Number of ports	12
Cable Entry 20mm	2
Cable entry 25mm	2
Mounting Adjustment range	50mm
Material	Cold- rolled steel
Material thickness	1.2mm
Material coating	Powder coating
Colour	RAL 9004
Operating temperature	-40°C to +50°C
Designed in accordance with	TIA/EIA 568.C, ISO/IEC 11801, EN50173, IEC60304, IEC61754,
Compliant to	RoHS, Reach/SVHC

TECHNICAL DRAWING



ORDERING INFORMATION

Code	Fiber Type		Code	Adaptor/Connector 1		Code
F	S	SM Adaptors	PE24BX	D	SC	X-07AD
	M	MM Adaptors		E	SCA	
	V	MM EV adaptors				

PART NUMBER	DESCRIPTION	LEGACY PART NUMBER
FSPE24BXDX-07AD	Sliding Panel Black 12 Port (SCD) 24F SC SM (Adaptors)	S07SCS12
FMPE24BXDX-07AD	Sliding Panel Black 12 Port (SCD) 24F SC MM (Adaptors)	S07SCM12
FVPE24BXDX-07AD	Sliding Panel Black 12 Port (SCD) 24F SC MM EV (Adaptors)	S07SCV12
FSPE24BXEX-07AD	Sliding Panel Black 12 Port (SCD) 24F SM (Adaptors)	S07SCA12



SCAN QR FOR PRODUCT PAGE

FURTHER INFORMATION

- For additional information please contact your sales representative
- To view the product 360 visit the product page (Scan the QR code or visit the link below)
- Downloaded from <https://www.aflhyperscale.com/product/s07-1u-black-sliding-patch-panel>
- AFL Hyperscale reserves the right to make changes in this datasheet at any time without notice
- Information in this document is correct as of September 16, 2019

Europe

+44 (0) 1908 441 144
emeasales@aflhyperscale.com
© AFL Hyperscale 2019

Americas

+1 866 814 8615
usasales@aflhyperscale.com

Middle East & Africa

+971 4 404 9606
mesales@aflhyperscale.com

India

+91 80 46874687
indiasales@aflhyperscale.com

Asia Pacific

+86 755 2561 3694
apacsales@aflhyperscale.com