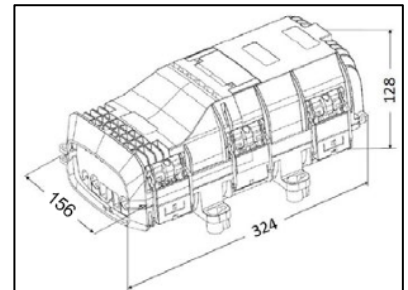
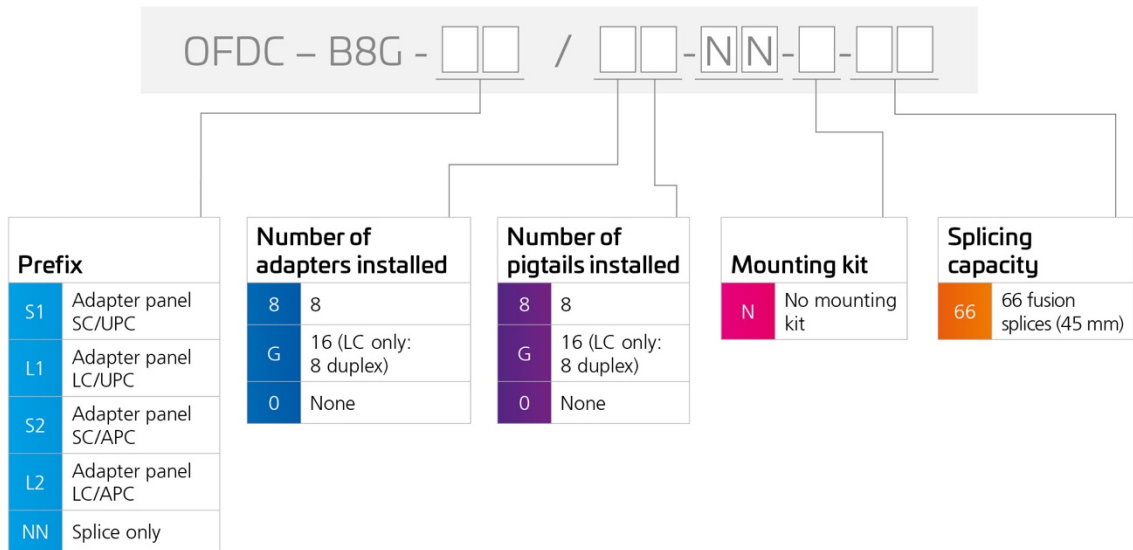






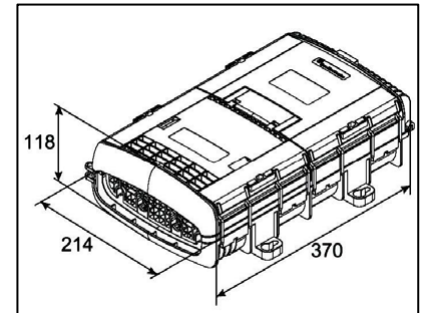
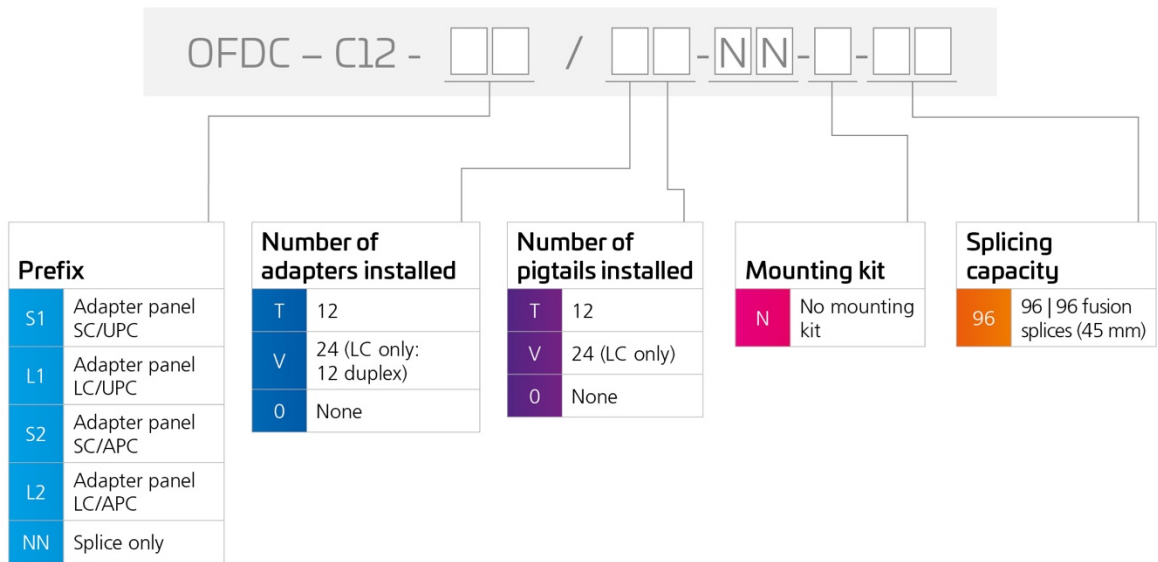


## OFDC B8G Series



Product description	Description
OFDC-B8G-NN/00-NN-N-66	OFDC-B8G splice only
OFDC-B8G-S2/00-NN-N-66	OFDC-B8G patch panel, no pigtails, no adapters
OFDC-B8G-S2/88-NN-N-66	OFDC-B8G 8 SC/APC pigtails and adapters installed
OFDC-B8G-S2/GG-NN-66	OFDC-B8G 16 LC/APC pigtails and eight duplex adapters installed

### OFDC C12 Series



Product description	Description
OFDC-C12-NN/00-NN-N-96	OFDC-C12 splice only
OFDC-C12-S2/00-NN-N-96	OFDC-C12 patch panel, no pigtails, no adapters
OFDC-C12-S2/TT-NN-N-96	OFDC-C12 12 SC/APC pigtails and adapters installed
OFDC-C12-L2/VV-NN-N-96	OFDC-C12 24 LC/APC pigtails and 12 duplex adapters installed

**CommScope E-Catalog** [CLICK HERE](#). Additional product information, installation instructions and videos are available.

commscope.com

Visit our website or contact your local CommScope representative for more information.

© 2018 CommScope, Inc. All rights reserved.

Unless otherwise noted, all trademarks identified by © or ™ are registered trademarks, respectively, of CommScope, Inc. This document is for planning purposes only and is not intended to modify or supplement any specifications or warranties relating to CommScope products or services. CommScope is committed to the highest standards of business integrity and environmental sustainability with a number of CommScope's facilities across the globe certified in accordance with international standards, including ISO 9001, TL 9000, and ISO 14001.

Further information regarding CommScope's commitment can be found at [www.commscope.com/About-Us/Corporate-Responsibility-and-Sustainability](http://www.commscope.com/About-Us/Corporate-Responsibility-and-Sustainability).

BR-113003-EN (10/18)