

Divisible duct seals 32mm

FILOform



Suitable for gas and watertight sealing of 32mm HDPE ducts, which contain mini ducts and / or (fibre optic) cables. The modular system will guarantee easy installation of various different cable and duct configurations. Our system is divisible so can be applied at installation or afterwards. The rubber inserts can be custom designed for your specific needs and configuration and will contain (temporary) blind plugs to make the system more flexible at the installation site.

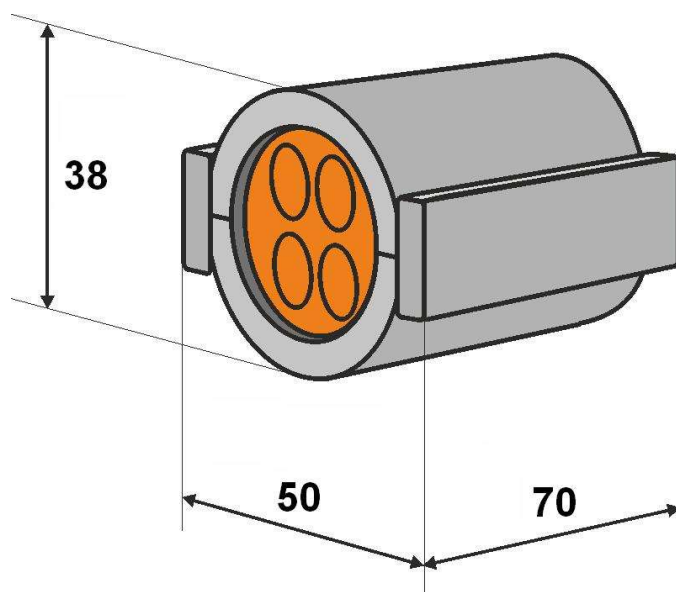
Features

- Gas and watertight $\geq 0,25$ bar
- Suitable for retrofitting
- Easy installation
- Slim design
- Includes cores of the recesses
- Other versions available upon request

Divisible duct seals 32mm

FILO form

Specifications



Plastic scales	glassfibre reinforced
Closing key	glassfibre reinforced
Sealing plug	EPDM
Sealing	up to 0,25 bar
Pull-out force duct seal vs duct	$\geq 1000N$

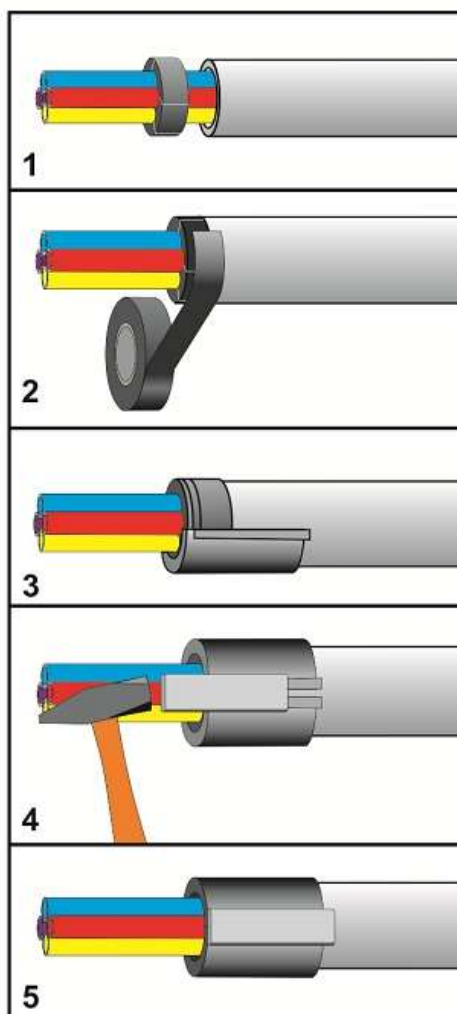
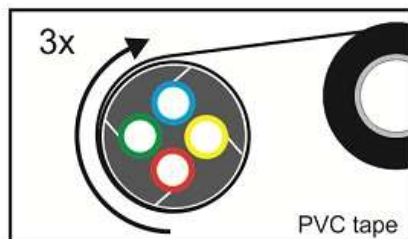
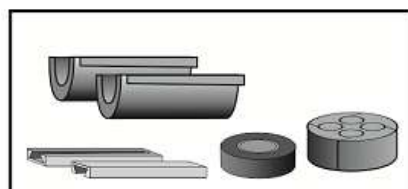
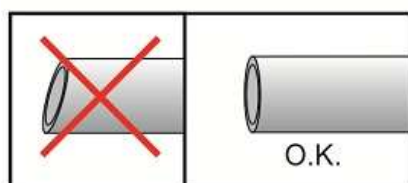
Divisible duct seals 32mm

More info

Contents

- Plastic scales (2 items)
- Closing keys (2 items)
- Synthetic rubber plug for cavity shapes (1 item)
- Illustrated installation instructions

Divisible Duct Seal



Divisible duct seals 32mm



Products

Product Name	Configuration	Colour	Duct outside diameter (mm)
Duct seal HDPE 32mm/ 2x7+1x12mm	2x7+1x12mm.		32
Duct seal HDPE 32/7x7mm	7x7mm		32
Ductafdichtse t HDPE 32/1x 10mm+1xC5-1 5,5mm	1x10mm+1xC 5-15,5mm	light blue	
Duct seal HDPE 32mm/ 1x10mm+3x7 mm	1x10mm+3x7 mm		32
Duct seal HDPE 32/2x10 mm+1Cx8-14 mm	2x10mm + 1C8-14mm		32
Duct seal HDPE 32/3x10mm	3x10mm		32
Duct seal HDPE thin wall 32/4x10mm	4x10mm	light blue	32
Ductseal HDPE 32/1xC1 1-16-22mm	1xC11-16mm		32
Ductseal HDPE 32/1xC5-11m m	1xC5-11mm		32
Duct seal HDPE 32/12-10-7,5 mm	1x12mm + 1x10mm + 1x7,5mm		32
Duct seal HDPE 32/3x12mm	3x12mm		32
Duct seal HDPE 32/1x14mm	1x14mm		32
Ductseal HDPE 32/12x4mm	12x4mm		32