

## Divisible duct seals 25mm

**FILO**form



Suitable for gas and watertight sealing of 25mm HDPE ducts, which contain mini ducts and / or (fibre optic) cables. The modular system will guarantee easy installation of various different cable and duct configurations. Our system is divisible so can be applied at installation or afterwards. The rubber inserts can be custom designed for your specific needs and configuration and will contain (temporary) blind plugs to make the system more flexible at the installation site.

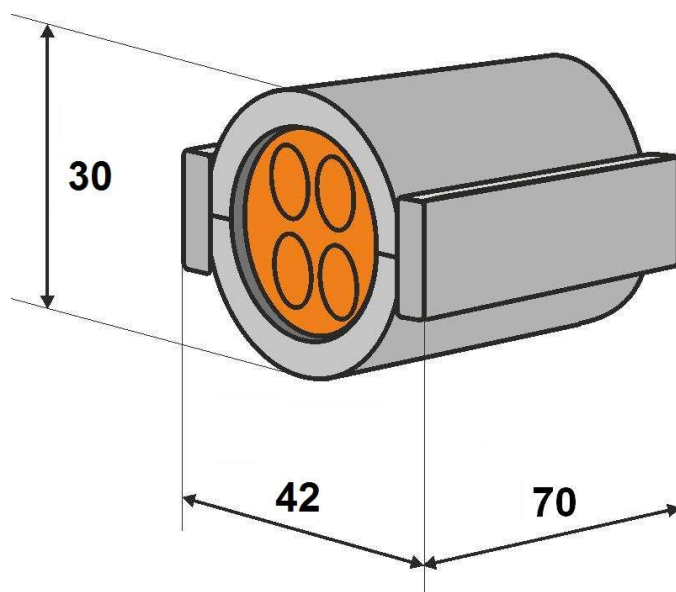
### Features

- Gas and watertight  $\geq 0,25$  bar
- Suitable for retrofitting
- Easy installation
- Slim design
- Includes cores of the recesses
- Other versions available upon request

## Divisible duct seals 25mm

**FILO**form

### Specifications



Plastic scales	glassfibre reinforced
Closing key	glassfibre reinforced
Sealing plug	EPDM
Sealing	up to 0,25 bar
Pull-out force duct seal vs duct	$\geq 1000N$

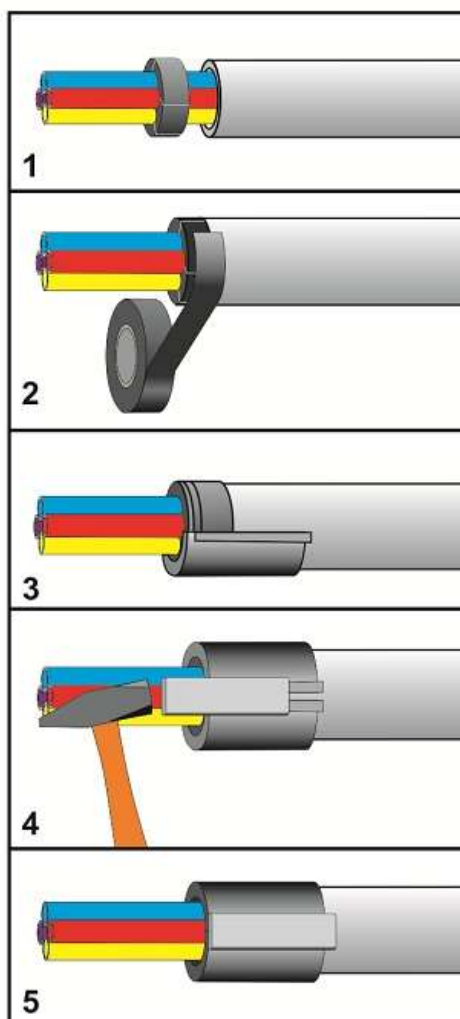
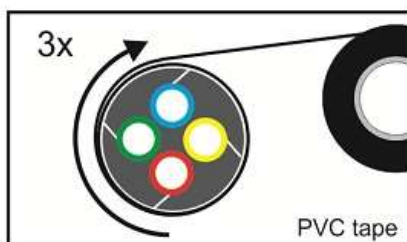
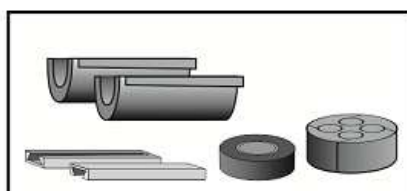
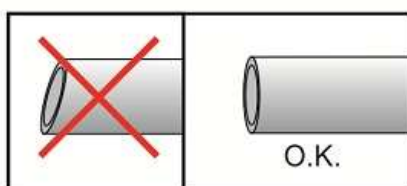
## Divisible duct seals 25mm

### More info

#### Contents

- Plastic scales (2 items)
- Closing keys (2 items)
- Synthetic rubber plug for cavity shapes (1 item)
- Illustrated installation instructions

### Divisible Duct Seal



## Divisible duct seals 25mm



### Products

Product Name	Duct outside diameter (mm)	Configuration	Colour
Ductseal HDPE 25/6x4mm	25	6x4mm	
Ductseal HDPE 25/2x7mm	25	2x7mm	light blue
Ductseal HDPE 25/1x12mm	25	1x12mm	
Ductseal HDPE 25/1xC12-7mm	25	1x12-7mm	
Ductseal HDPE 25/C5-15mm	25	1xC5-15mm	
Ductseal HDPE 25/1x10mm	25	1x10mm	