

Divisible duct seals 14mm

FILOform



Filoform divisible duct sealing sets for subducts have been developed to provide an effective and simple solution to all Gas and Watertight duct sealing requirements.

This modular system enables you to install it easily onto new and existing installations. Due to the compact design the seals can be installed in all situations, even in locations with difficult access.

For use on subducts of 14mm.

PATENTED

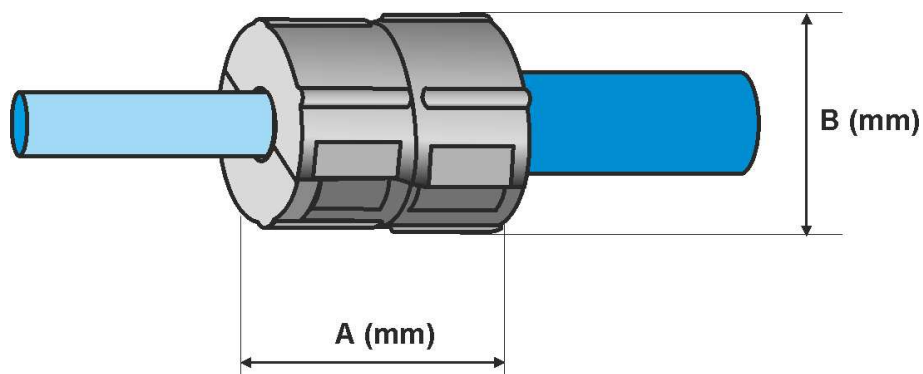
Features

- Gas and Watertight up to 0,5 bar.
- Suitable for retrofitting.
- Easy installation.
- Slim design.
- Other versions available upon request.

Divisible duct seals 14mm

FILOform

Specifications



| Dimensions | A (mm) | B (mm) | Weight (gr.) |
|----------------|--------|--------|--------------|
| Duct seal 14mm | 34 | 29 | 18 |

Material specification

| Properties | Value |
|----------------------------------|-----------------------|
| Plastic scales | glassfibre reinforced |
| Cutting block | glassfibre reinforced |
| Sealing plug | silicone |
| Sealing | up to 0,5 bar |
| Pull-out force duct seal vs duct | ≥ 140N |
| Mechanical compression strength | ≥ 1000N, 10 sec. |

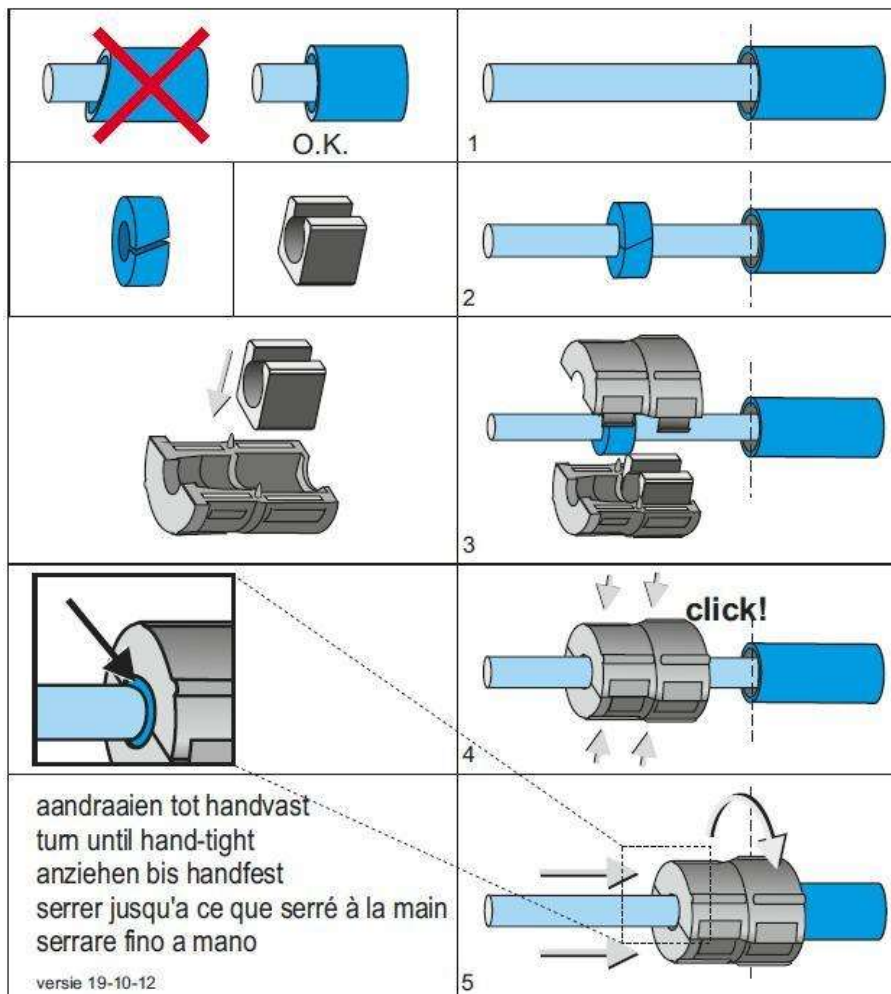
Divisible duct seals 14mm

More info

Contents

- 2 pieces of plastic shells with click together fixings
- 1 piece cutting block
- 1 rubber seal
- Illustrated installation instructions

Deelbare glasvezel afdichting
 Divisible fibre optic seals
 Teilbar LWL-dichtungen
 Fibre optique divisible sceaux
 Sellos de fibra optica



Divisible duct seals 14mm

Products

| Product Name | Colour | Cable Diameter (mm) | Duct outside diameter (mm) |
|------------------------------|--------|---------------------|----------------------------|
| Duct seal 14mm / 2,5-1,5mm | purple | 2,5-1,5 | 14 |
| Duct seal 14mm / 3,5-2,5mm | yellow | 3,5-2,5 | 14 |
| Duct seal 14mm / 5,0-3,5 mm | green | 5,0-3,5 | 14 |
| Duct seal 14mm / 6,5-5,0 mm | red | 6,5-5,0 | 14 |
| Duct seal 14mm / 8,0-6,5 mm | blue | 8,0-6,5 | 14 |
| Duct seal 14mm / 10,0-8,0 mm | gray | 10,0-8,0 | 14 |