

Divisible duct seals 12mm

FILOform



Filoform divisible duct sealing sets for subducts have been developed to provide an effective and simple solution to all Gas and Watertight duct sealing requirements.

This modular system enables you to install it easily onto new and existing installations. Due to the compact design the seals can be installed in all situations, even in locations with difficult access.

For use on subducts of 12mm.

PATENTED

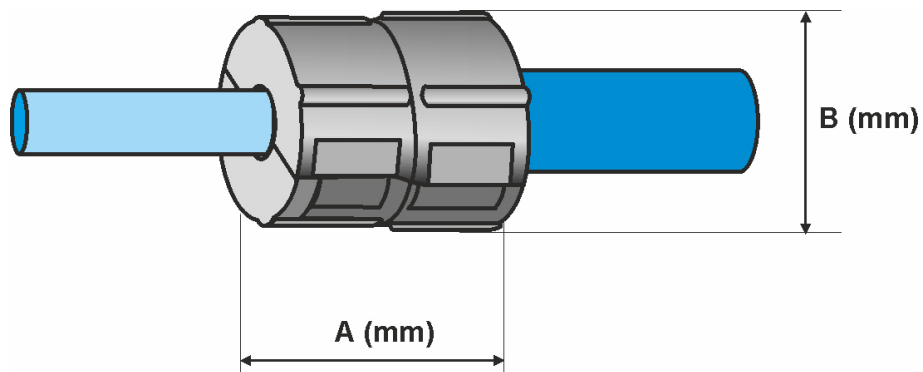
Features

- Gas and Watertight up to 0,5 bar.
- Suitable for retrofitting.
- Easy installation.
- Slim design.
- Other versions available upon request.

Divisible duct seals 12mm

FILOform

Specifications



Dimensions	A (mm)	B (mm)	Weight (gr.)
Duct seal 12mm	30	24	12

Material specification

Properties	Value
Plastic scales	glassfibre reinforced
Cutting block	glassfibre reinforced
Sealing plug	silicone
Sealing	up to 0,5 bar
Pull-out force duct seal vs duct	≥ 120N
Mechanical compression strength	≥ 1000N, 10 sec.

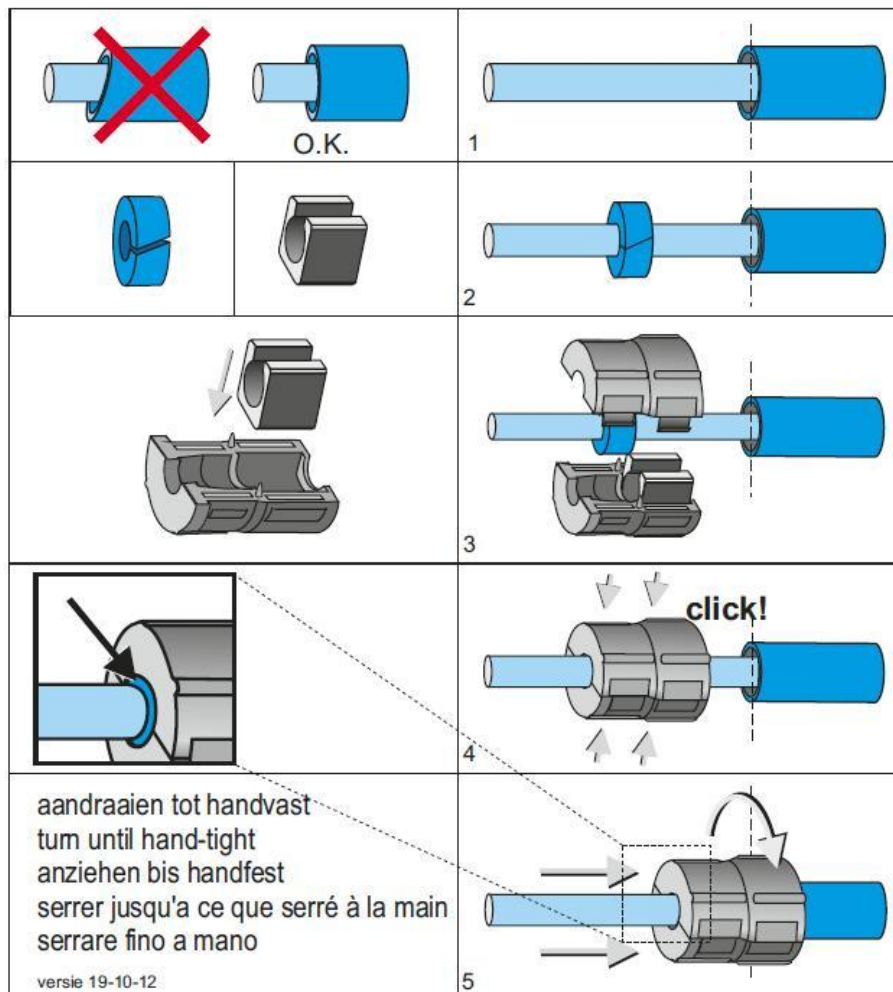
Divisible duct seals 12mm

More info

Contents

- 2 pieces of plastic shells with click together fixings
- 1 piece cutting block
- 1 rubber seal
- Illustrated installation instructions

Deelbare glasvezel afdichting
 Divisible fibre optic seals
 Teilbar LWL-dichtungen
 Fibre optique divisible sceaux
 Sellos de fibra optica



Divisible duct seals 12mm



Products

Product Name	Colour	Duct outside diameter (mm)	Cable Diameter (mm)
Duct seal 12mm / 2,5-1,5mm	purple	12	2,5-1,5
Duct seal 12mm / 3,5-2,5mm	light blue	12	3,5-2,5
Duct seal 12mm / 5,0-3,5mm	green	12	5,0-3,5
Duct seal 12mm / 6,5-5,0mm	red	12	6,5-5,0
Duct seal 12mm / 8,0-6,5mm	dark blue	12	8,0-6,5
Duct seal 12mm / 8,5-7,0mm	light blue	12	8,5-7,0