

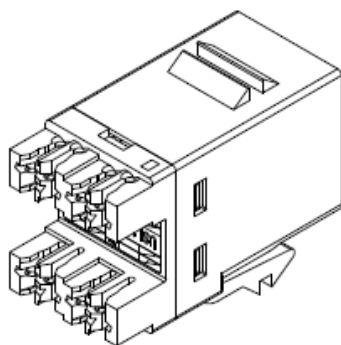
Category 6a SL, KJ, M and FMK Series Unshielded Modular Jacks

1. General product information

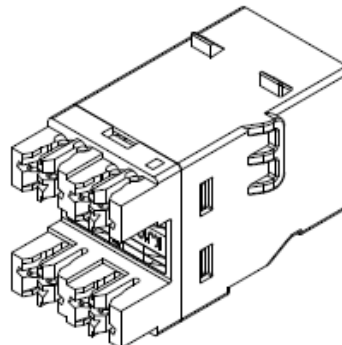
These instructions provide the termination procedure for Category 6A unshielded outlets on 4-pair twisted pair cables with solid conductor sizes 24-22 AWG or stranded conductor sizes 26-24 AWG with a maximum conductor insulation diameter of 1.45 mm [.057 in.]. The modular jack features a universal wiring label to aid in proper wire color coding.

This instruction sheet is for terminating:

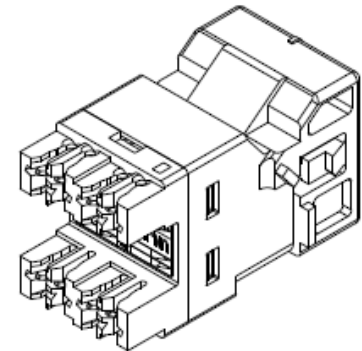
Material ID	Product Number	Description
760241(137-148)	USL10G	UNIPRISE Cat. 6A SL Series
760241(149-159)	USL10G-DC	UNIPRISE Cat. 6A SL Series w/ dust cover
760241(160-171)	UKJ10G	UNIPRISE Cat. 6A KJ Series
760241(172-183)	UNJ10G	UNIPRISE Cat. 6A M Series
760241(184-195)	SL10G	NETCONNECT Cat. 6A SL Series
760241(196-206)	SL10G-DC	NETCONNECT Cat. 6A SL Series w/ dust cover
760241(207-218)	KJ10G	NETCONNECT Cat. 6A KJ Series
760241(219-221)	FMK10G	NETCONNECT Cat. 6A FMK Series



SL/FMK Series



KJ Series



M Series

Figure 1

2. Tools required

- SL Series Jack Tool Kit 1725150-6:
 - SL Series 110 Connector Jack Tool
 - Lacing Fixture
- Wire cutters

3. General termination guidelines

This termination guideline focuses on the proper preparation of Category 6A cabling and alignment to the SL Tool lacing fixture for termination. For more detailed information on use of the SL Tool, refer to instruction sheet **408-8858**.

4. Installation steps

Step 1 – Preparation of Cable for Termination

- 1.1 Strip the cable jacket approximately 35 millimeters.
- 1.2 Remove any separator devices, including in-pair separator tapes, if present. Refer to **Figure 2**.

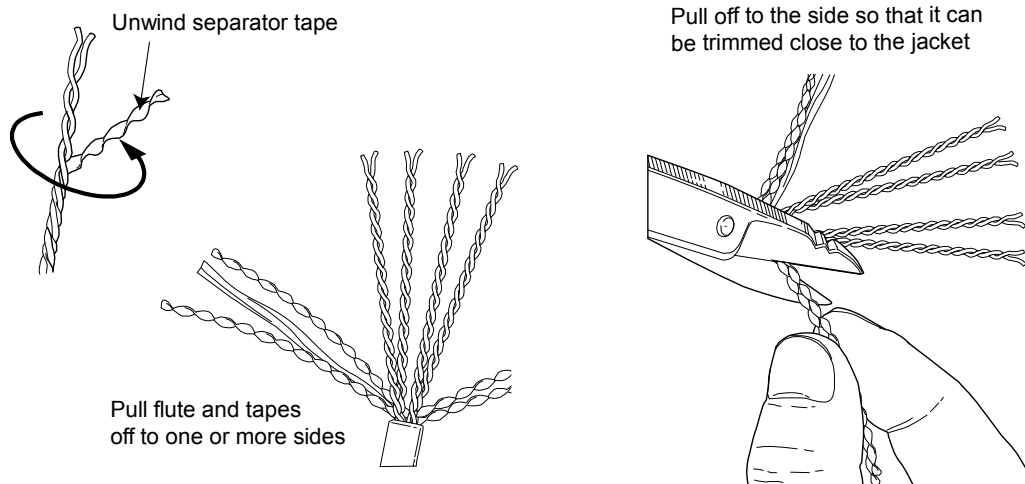
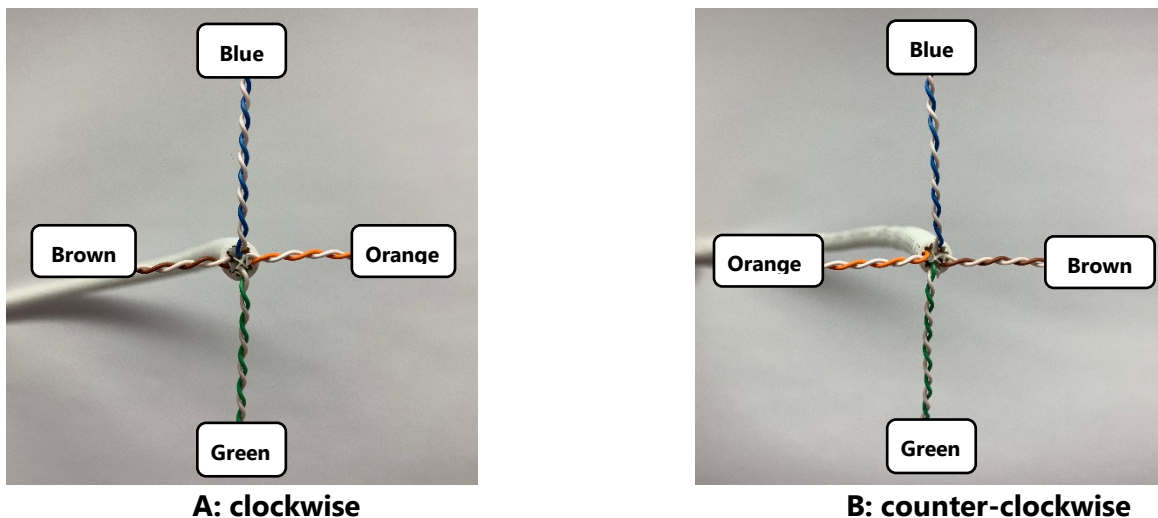


Figure 2

Step 2 – Determine Cable Orientation

Determine whether you are terminating with the clockwise or the counter-clockwise end of the cable.



A: clockwise

B: counter-clockwise

Figure 3

Step 3 – Preparing Cable in Lacing Fixture

Note: This step details instruction for the T568B wiring scheme, similar method used for T568A.

3.1 If cable orientation is clockwise, rotate the cable and/or lacing fixture until the blue and orange pairs line up with the wiring labels on the fixture as shown in **Figure 3A**. Close the lacing fixture around the cable.

If cable orientation is counter-clockwise, rotate the cable and/or lacing fixture until the green and brown pairs line up with the wiring labels on the fixture as shown in **Figure 3B**. Close the lacing fixture around the cable.

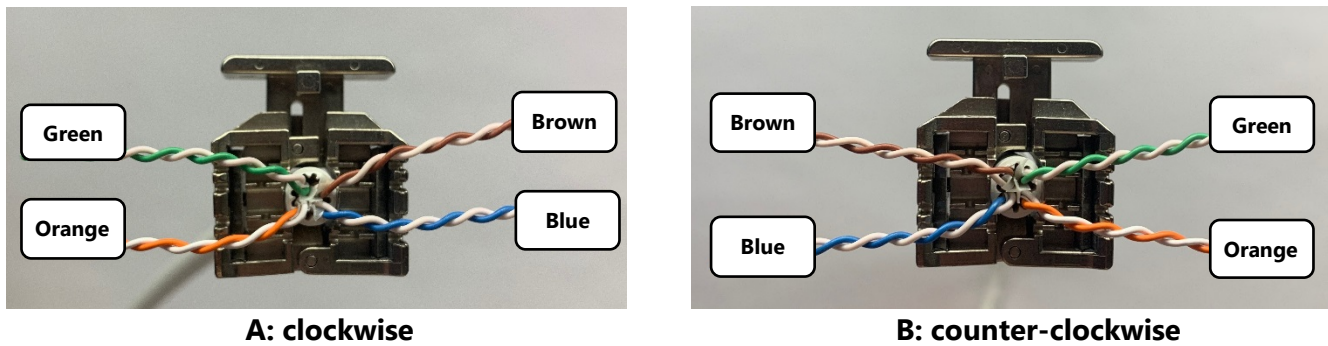


Figure 4

3.2 If clockwise, beginning with the blue pair, follow the wire identification label and use the inside towers between the wire positioning slots to begin to separate the wire pair. Untwist just enough of the pair to lie straight across the lacing fixture to the wire position slots. Repeat with the orange pair and the brown pair. Finally, bend the green pair over the brown pair and repeat with the green pair. At this point, the termination should look like **Figure 4A**.

If counter-clockwise, beginning with the green pair, follow the wire identification label and use the inside towers between the wire positioning slots to begin to separate the wire pair. Untwist just enough of the pair to lie straight across the lacing fixture to the wire position slots. Repeat with the brown pair and the blue pair. Finally, bend the orange pair over the blue pair and repeat with the orange pair. At this point, the termination should look like **Figure 4B**.

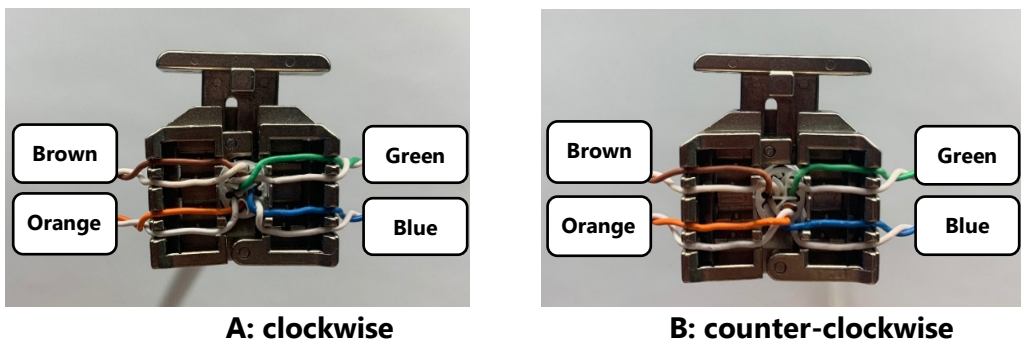
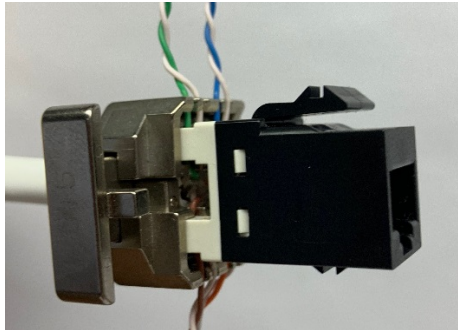


Figure 5

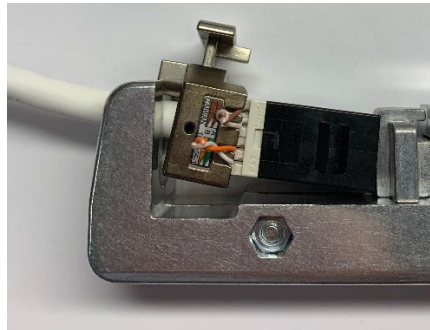
Note: It is important to utilize this method of lacing the wires to retain the twist of each pair and to reduce the overlap of twisted pairs.

Step 4 – Using SL Series Modular Jack Tool Kit

- 4.1 Firmly press the modular jack into lacing fixture, aligning with the color coded wires.
- 4.2 Insert lacing fixture (with modular jack) into tool as shown. Ensure modular jack is aligned properly before compressing tool handle.
- 4.3 Compress tool handle and remove trimmed wires while handle is closed. Remove modular jack from lacing fixture by moving it back and forth.
- 4.4 Ensure excess wire has been cleanly cut and removed from the modular jack.



4.1



4.2



4.3

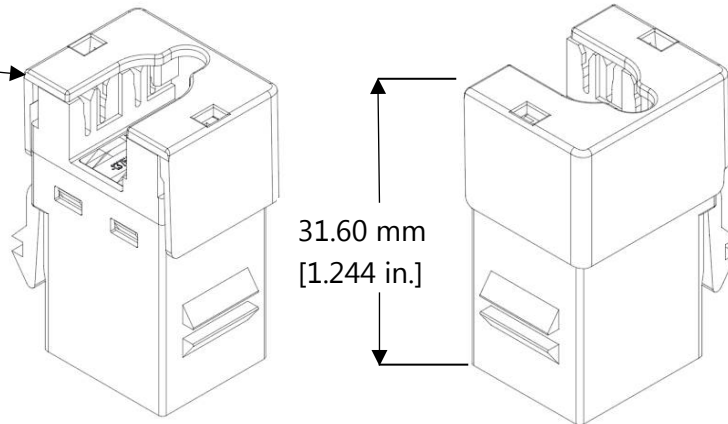
Figure 6

Step 5 – Installing Isolator Cap

The Isolator Cap is necessary to ensure Category 6A performance of the modular jack. After terminating the modular jack, slide the cap onto the rear of the jack as shown in **Figure 7**. The cap can be oriented with the cable exit to the left or right. In panels, the Isolator Cap must be oriented as shown.

Isolator Cap
860641945

Note: For clarity
cable and wires not
shown



Isolator Cap latch (2
places) engaged with
modular jack tabs

Figure 7

5. Revision history

- Rev. A – Initial release.