

DIN rail adaptor for RJ45 modular jack

## Product Classification

<b>Regional Availability</b>	Asia   EMEA   Latin America   North America
<b>Portfolio</b>	NETCONNECT®
<b>Product Type</b>	Adapter

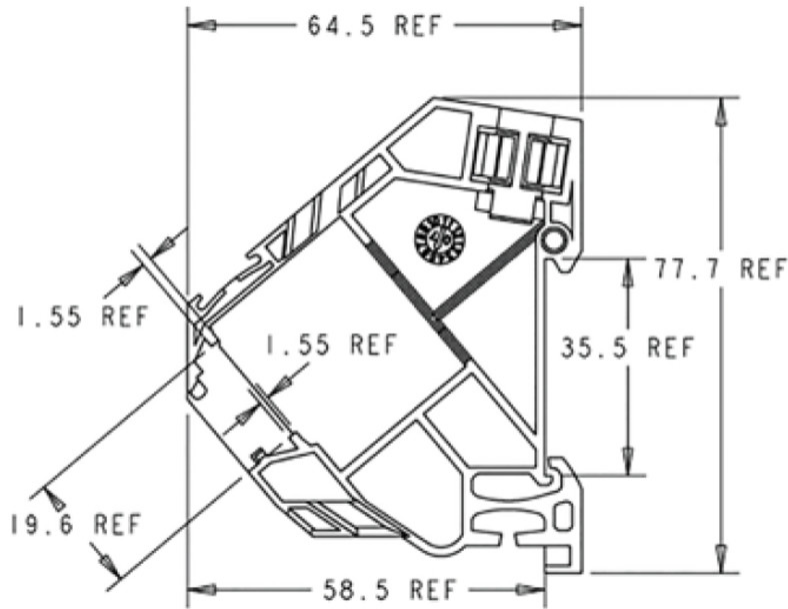
## General Specifications

<b>Application</b>	For use with SL Series outlets (UTP and STP)
<b>Color</b>	Gray

## Dimensions

<b>Height</b>	77.7 mm   3.059 in
<b>Width</b>	16.13 mm   0.635 in
<b>Depth</b>	64.5 mm   2.539 in

## Outline Drawing



## Material Specifications

**Material Type** Polyamide (PA) 30% glass filled

## Environmental Specifications

**Environmental Space** Indoor

## Packaging and Weights

**Included** Label holder | Tie wrap

**Packaging quantity** 1

**Packaging Type** Bag

## Regulatory Compliance/Certifications

### Agency

CHINA-ROHS

REACH-SVHC

ROHS

### Classification

Below maximum concentration value

Compliant as per SVHC revision on [www.commscope.com/ProductCompliance](http://www.commscope.com/ProductCompliance)

Compliant

