

## SFP-1000Base-SXD

### 100/1250 Mbps Gigabit Ethernet 850 nm MM SFP Transceiver

#### INTRODUCTION

The SFP-1000Base-SXD optical transceiver is fully compliant with the SFP Multi-Source Agreement (MSA). It meets the requirements of IEEE 802.3 Gigabit Ethernet standard and ANSI Fibre Channel specifications, and is suitable for interconnections in Gigabit Ethernet and Fibre Channel environments.

The transceiver is a high performance, cost effective module supporting triple data-rates of 100 Mb/s, 1.25 Gb/s and 1.0625 Gb/s.

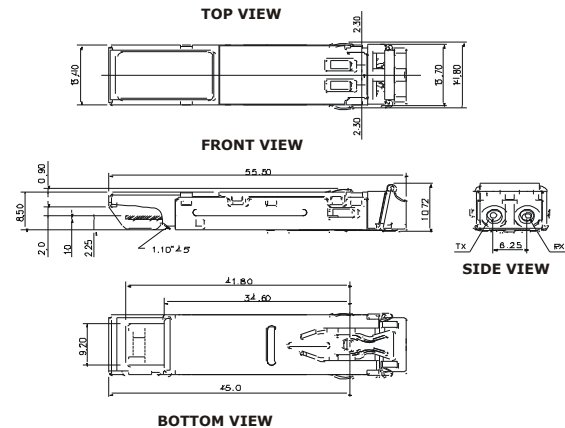
Gigabit data-rates over 550 m transmission on 50/125 µm MM fiber or 270 m transmission on 62.5/125 µm MM fiber. The transceiver has been tested according to European and American product safety and electromagnetic compatibility regulations.

#### APPLICATIONS

- 1000Base-SX
- 100Base-SX
- 1G Fibre Channel

#### FEATURES

- Compatible with Small-Form Pluggable (SFP) MSA
- SFF-8472 Digital Diagnostic Function
- Compatible with IEEE 802.3z
- Compatible with ANSI specifications for Fibre Channel
- Triple data-rate of 100 Mb/s, 1.25 Gb/s and 1.6025 Gb/s
- Operating wavelength at 850 nm
- Duplex LC connector type
- 550 m transmission with 50/125 µm MM fiber
- 270 m transmission with 62.5/125 µm MM fiber
- 2 km transmission distance for 100Mb/s operation
- Compatible with FCC 47 CFR Part, Class B Electromagnetic Interference (EMI)
- Compatible with IEC 61000-4-2 and GR-1089-CORE Electrostatic Discharge (ESD)
- +3.3V single power supply
- operating temperature 0°C to 70°C



Specification subject to change without notice.

#### LASER SAFETY

This singlemode transceiver is a Class 1 laser product. It complies with IEC-60825 and FDA 21 CFR 1040.10 and 1040.11. The transceiver must be operated within the specified temperature and voltage limits. The optical ports of the module need to be terminated with an optical connector or with a dust plug.

#### Optical Parameters

Part no. Parameter	Wavelength [nm]	Opt. Output Power [dBm]	Opt. Receiver Sensitivity [dBm]	Power Budget[dB]
SFP-1000Base-SXD	850 nm	-9 to -4	-17 to -3	8

Vendor specific modules have identical optical parameters as the SFP-1000Base-SX.

#### Ordering Information

Part no:	Description/Application
SFP-1000Base-SXD	SFP, 1.25 Gbps Gigabit Ethernet, 850nm, MM, DDM, 7dB, 550m

Specification subject to change without notice.