

SFP-1000Base-LXD

SFP, 1.25 GbpsGigE, 1310nm, SM/MM, DDM, 10dB, 10km

INTRODUCTION

The SFP-1000Base-LX optical transceiver is fully compliant with the SFP Multi-Source Agreement (MSA). The module is hot pluggable and digital diagnostic functions are available via an I2C serial bus specified in the SFP MSA SFF-8472. It meets the requirements of IEEE 802.3 Gigabit Ethernet standard and ANSI Fibre Channel specifications, and is suitable for interconnections in Gigabit Ethernet and Fibre Channel environments.

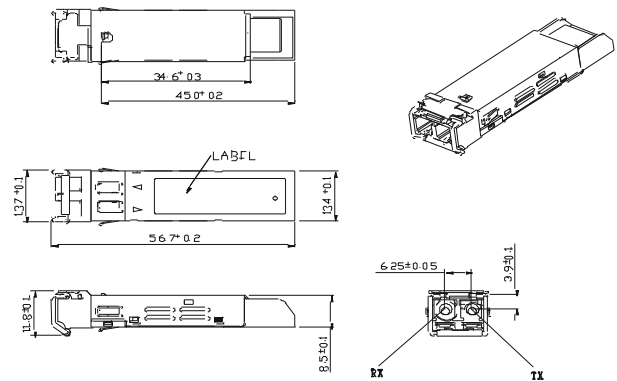
The transceiver is a high performance, cost effective module supporting dual data-rates of 1.25 Gb/s and 1.0625 Gb/s. It operates over 10 km transmission on 9/125µm SM fiber or 550 m transmission on 62.5/125 µm MM fiber. The transceiver has been tested according to European and American product safety and electro-magnetic compatibility regulations.

APPLICATIONS

- 1000Base-LX
- 1G Fibre Channel

FEATURES

- Compatible with Small-Form Pluggable (SFP) MSA
- SFF-8472 Digital Diagnostic Function
- Compatible with IEEE 802.3z
- Compatible with ANSI specifications for Fibre Channel
- Dual data-rate of 1.25 Gb/s and 1.6025 Gb/s operation
- Operating wavelength at 1310 nm
- 10 km transmission with 9/125 µm SM fiber
- 550 m transmission with 62.5/125 µm MM fiber
- Duplex LC connector type
- Compatible with FCC 47 CFR Part, Class B Electromagnetic Interference (EMI)
- Compatible with IEC 61000-4-2 and GR-1089-CORE Electrostatic Discharge (ESD)
- +3.3V single power supply
- operating temperature 0°C to 70°C



Specification subject to change without notice.

LASER SAFETY

This singlemode transceiver is a Class 1 laser product. It complies with IEC-60825 and FDA 21 CFR 1040.10 and 1040.11. The transceiver must be operated within the specified temperature and voltage limits. The optical ports of the module need to be terminated with an optical connector or with a dust plug.

Optical Parameters

Part no. Parameter	Wavelength [nm]	Opt. Output Power [dBm]	Opt. Receiver Sensitivity [dBm]	Power Budget[dB]
SFP-1000Base-LXD	1310 nm	-9.5 to -3	-20 to -3	10.5

Vendor specific modules have identical optical parameters as the SFP-1000Base-LXD.

Ordering Information

Part no:	Description/Application
SFP-1000Base-LXD	SFP, 1.25 Gbps GigE, 1310nm, SM/MM, DDM, 10dB, 10km