

# 15-Slot Media Converter Chassis with Redundant Power Supply System



### High Density Chassis for Multiple Converter Installation

Provide redundant power to gain more reliable media conversions. The MC-1500R series provides 15 slots for PLANET's full range media converter series and 2 slots for 130W redundant power supply. It allows the connectivity of up to fifteen PLANET Ethernet, Fast Ethernet, Gigabit Ethernet or VDSL2 Converters in one chassis. The 15 slots in the 19" rack saves more spaces for Fiber-Optic wiring, simplifies the structure and eases the maintenance of media conversion.

### High Reliable / Hot-Swappable Power System

MC-1500R series supports the optional hot-swappable Redundant Power System (RPS) to ensure the network continuously working. The MC-1500R equips with one 100~240V AC power supply unit and MC-1500R48 equips with one DC -48V power supply unit on its standard package, both of the two models provide one spare power supply unit slot for optional redundant power supply installation. When installed with one more AC or DC power supply, once the power supply in use failed to work, the other one can immediately back up to provide power to the media converters without any interruption on network performance. The continuous power systems are specifically designed to handle the demands of high tech facilities requiring the highest power integrity available. Also, the -48V DC power supply implemented makes the MC-1500R as telecom level device that can be located at the electronic room.

### Plug and Play / Flexible Installation

The MC-1500R series offers flexibility in installation and cost-effective scalable solution. With an independent power supply on each slot of the MC-1500R series, any converter is hot-swappable without causing an interruption to other converters. The media converters and power modules can be plugged and played anytime. Each bay of the media converter chassis can be populated with any of PLANET's media converter series, the FT, GT, VC-20x and ICS series media converter to provide media conversion between fiber optical, phone wire and serial to copper lines.

### Power Module Application



**MC-1500R**



**MC-1500R48**



**DC + AC**



**Dual AC**

## KEY FEATURES

### HARDWARE

- High quality 19" Rack-Mountable Chassis installation
- Supplies the Converters and Power modules to be Plugged and Played
- Supports up to fifteen hot-swappable media converters
- Two fans built-in for hardware cooling
- Reduces the effort of converter maintenance and management, diagnose the status at one time

### POWER SYSTEM

- Two power slots at rear panel for redundant power support with options of 100~240V AC or -48V DC supplies

- Bay power isolation ensures each bay is electrically isolated from each other
- Power protection: protection from over voltage, over current and short circuit

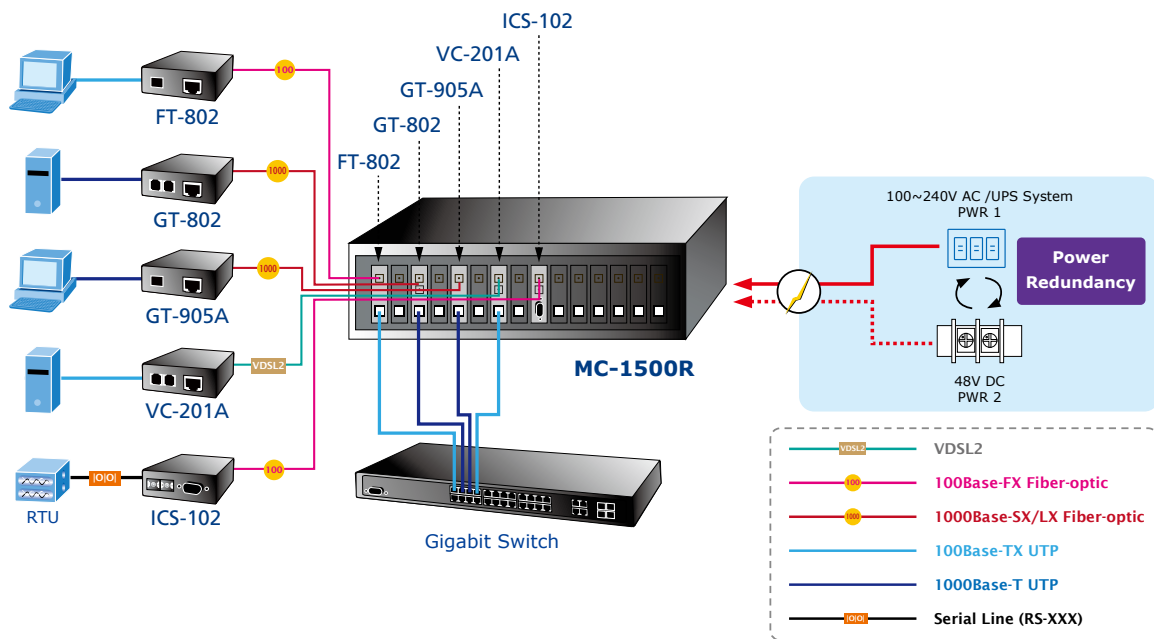
### COMPATIBILITY

- Supports the PLANET Fast Ethernet, Gigabit Ethernet Media Converter series: FT-80x / FT-90x and GT-70x / GT-80x / GT-90x
- Supports VDSL2 Media Converter: VC-201 / VC-201A / VC-204
- Supports Serial over Ethernet Converter: ICS-10x series

## APPLICATIONS

### Centralized Media Converter Management

For current FTx network and Ethernet expanding, the PLANET MC-1500R series provides advanced Media conversion technology to fill this kind of demand. The Media Converter chassis allows install up to fifteen FT-8 / GT-7 / GT-8 series Fast /Gigabit Ethernet Media converter with diverse fiber connect type options to meet different network application, it is very flexible for FT / GT series install into the Media converter chassis for centralize power feeding and installation.



The optional redundant power supply system provides and ensures non-stop reliable operation. Once, the FT / GT series Fast /Gigabit Ethernet Media converter install into Media Converter chassis, with hot swappable feature and redundant power function to avoid entire network downtime, the PLANET Media Converter chassis with FT / GT series Fast /Gigabit Ethernet Media converter are ideal solution for building a network solution of FTTC (Fiber to the Curb) and FTTB (Fiber to the Building) for ISPs, campuses and enterprise.

**SPECIFICATION**

Product	<b>15-Slot Media Converter Chassis with Redundant Power Supply System</b>	
Model	<b>MC-1500R</b>	<b>MC-1500R48</b>
<b>Hardware Specification</b>		
Dimension (W x D x H)	438 x 200 x 103 mm, 2.4U high	
Slot	15 open Slots (Slot Dimension (W x D x H) 27 x 95 x 71 mm,)	
LED	Power 1, Power2, FAN1, FAN2	
FAN	2 x FAN	
Weight	Single AC Power supply: 4.03kg	Single DC Power supply: 3.6kg
	Dual AC Power Supplies:4.71kg	Dual DC Power Supplies:3.85kg
Power requirement	100-240V AC, 1.5A, 50-60Hz	DC -48V, 2A, Range: -40V ~ -60V
Power Output	5V DC per slot, 2A maximum	
Power consumption	10 Watts / 34.1BTU (1 x power supply, not include converters)	6 Watts / 20.46BTU (1 x power supply, not include converters)
	88 Watts / 301BTU ( Full loading)	96 Watts / 327 BTU ( Full loading)
Operate environment	0~50 Degree C, 5%~90%RH	
Storage environment	-20~70 Degree C, 5%~90%RH	
Emission	FCC Class A, CE mark	

**ORDERING INFORMATION**

<b>MC-1500R</b>	15-Slot Media Converter Chassis(AC power)
<b>MC-1500R48</b>	15-Slot Media Converter Chassis(DC power)
<b>MC-15RPS130</b>	130Watts Redundant Power Supply, 100-240V AC
<b>MC-15RPS48</b>	Redundant Power Supply, DC -48V

**RELATED PRODUCTS**

<b>Fast Ethernet Media Converter</b>	
<b>FT-80x</b>	10/100Base-TX to 100Base-FX Bridge Media Converters
<b>FT-90x</b>	10/100Base-TX to 100Base-FX Web Smart Media Converter
<b>Gigabit Ethernet Media Converter</b>	
<b>GT-70x</b>	1000Base-T to 1000Base-SX/LX Gigabit Media Converter
<b>GT-80x</b>	10/100/1000Base-T to 1000Base-SX / LX Gigabit Media Converter
<b>GT-90x</b>	Managed Gigabit Ethernet Media Converter
<b>Ethernet over VDSL2 Converter</b>	
<b>VC-201</b>	Ethernet over VDSL2 Converter
<b>VC-201A</b>	Ethernet over VDSL2 Converter
<b>VC-202</b>	Ethernet over VDSL2 Converter – Coaxial
<b>Serial over Ethernet Converter</b>	
<b>ICS-100</b>	RS-232 / RS-422 / RS-485 over Fast Ethernet Media Converter
<b>ICS-102</b>	RS-232 / RS-422 / RS-485 over Fast Ethernet Media Converter

Remark: "x" means different fiber-optic connector and distance. Please consult your local sales representative for more.