

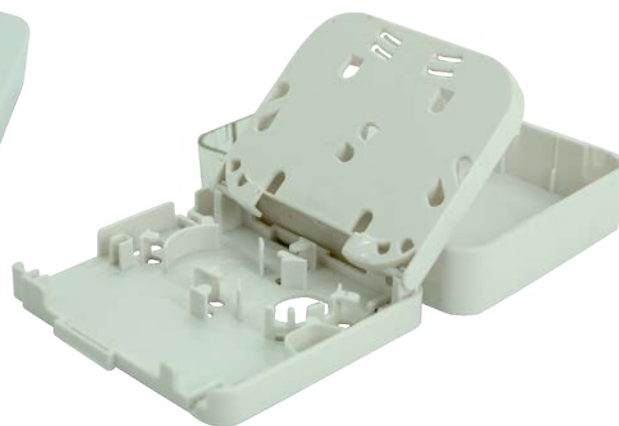
Compact Termination Box – 2-fiber SC or LC Duplex



FO4004-Closed view



FO4005-Closed view



Open view

Compact termination FTTH outlet box is designed for use in residential and business applications for the termination of up to two fibers. This wall box enables the installation of either a single Blown Tube cable using up to a 2 fiber blown unit or two 2 fiber ruggedized cables to be spliced to 2 SC or LC pigtails, which connect to adapters at the base of the unit.

This box is supplied with a transparent plastic cover at the front adapter side which provides the great protection to the installed fibers.

The unit can be quickly installed within an office, house or communication room environment.

Features

- ▶ SC-simplex, LC and SC duplex adapter
- ▶ Ergonomic design
- ▶ Ability to allow cables to enter from rear or bottom of the unit
- ▶ 30mm minimum bend radius
- ▶ Flip tray to allow access to pigtails and cable entry
- ▶ Removable cover for easy access
- ▶ Unit manufactured from fire resistant UL94-V0 rated material
- ▶ Standard white color

Applications

- ▶ FTTH networks
- ▶ Data communication networks
- ▶ Indoor applications

Technical Specification

PARAMETERS	VALUE
Width	85mm
Height	23mm
Depth, include transparent cover	116mm
Number of Ports	1, 2
Max. Splicing Capacity	2 Splices
Suitable Adapter Type	SC Simplex, SC/LC Duplex
Number of Cable Entry	4
Material	PC+ABS
Operating temperature	-40°C to +50°C
Color	White
Compliant to	RoHS, REACH, SvHC

Ordering Information

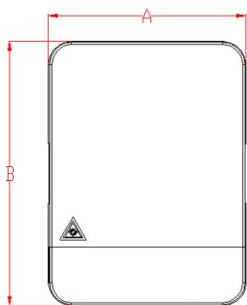
PART NO.	DESCRIPTION
FO4004	SC Simplex or LC duplex, with Transparent Cover
FO4005	SC duplex, with Transparent Cover

Installation Manual FO4004 / FO4005

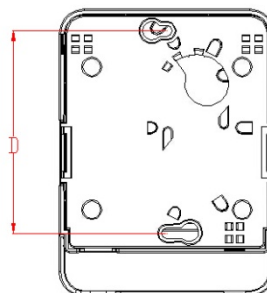
Configuration table:

Table 1 Model and configuration

Model	Size (Pic 1)	Max Capacity		Installation Size(Pic 2)
	A*B*C(mm)	SC	LC	D (mm)
FO400x	86*115*23	1-2	2-4	81

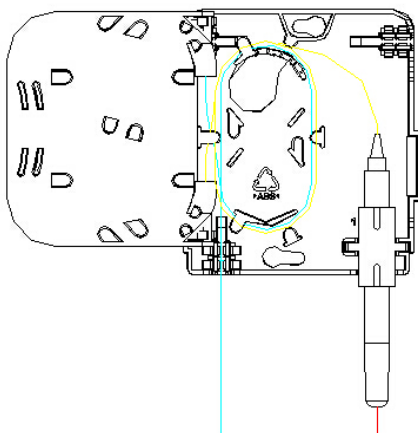


Pic 1 Box Size

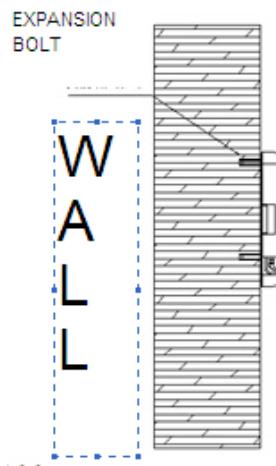
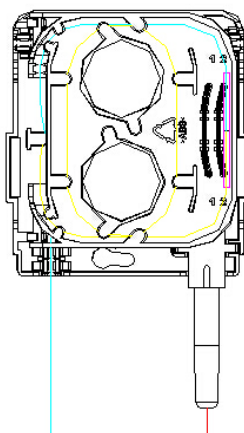


Pic 2 Installation Size

Product inside structure and cable ways:



Pic 3 Cable ways



Pic 4 Wall-mounted installation

Wall-mounted installation

Drill 2 holes over the wall based on the size in table 1, place the expansion bolt $\Phi 5.5 \times 30$, place the box to match up the holes and use bolt to fasten. (see Pic 4)