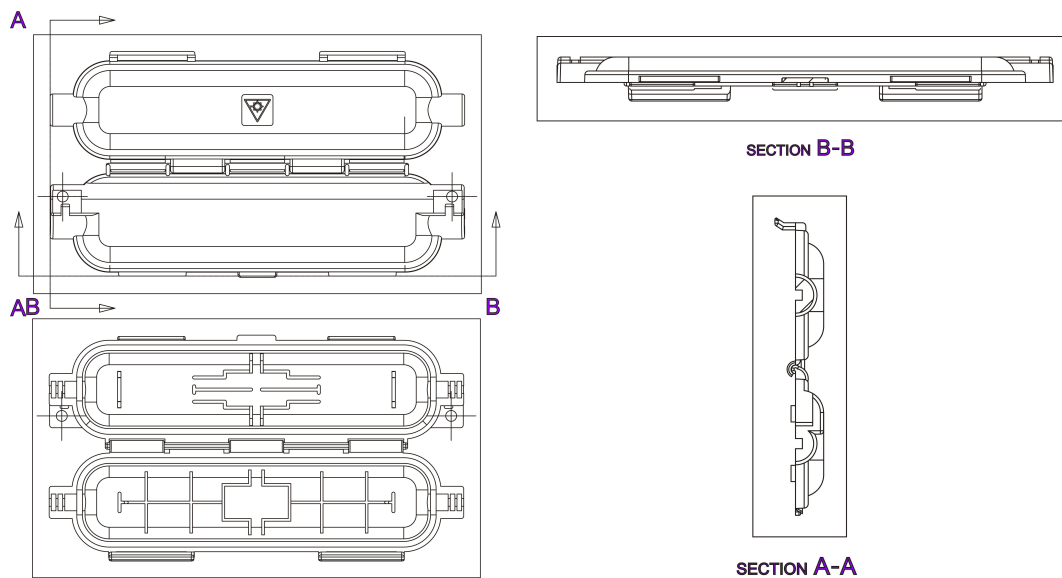
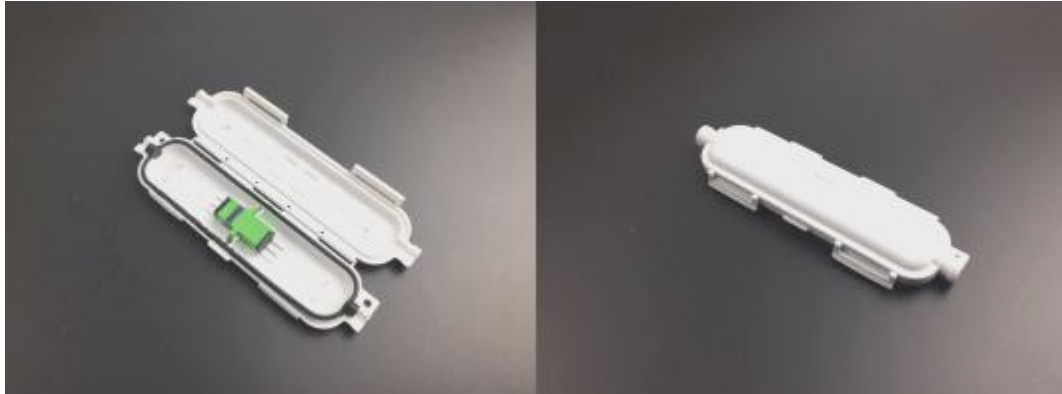


## F2H-DSPB-2-A Drop cable Splicing Protective Box



### Description:

Grandway's Drop cable Splicing Protective Box is used for drop cable connecting, splice and protection.

### Features:

1. Fast connecting
2. Waterproof IP65
3. Small size, nice shape, convenient Installation.
4. Satisfy for drop cable and normal cable.
5. Splice contact protection is stable&reliable,Protect it from damage or broken by external force
6. Available for adaptor SC, FC, ST

**Configuration:**

Material	Size	Empty Weight	Carton size(mm)	Quantity per ctn
ABS	A*B*C(mm) 160*48*18	0.037kg	48*33.5*5	500