

dktcomega 79700 series fiber termination unit / wall outlet

Built upon the strong DKTCOMEGA CPE/gateway product line, this is a new series of Fiber Termination Units / Wall Outlet that offers operators an easy FTTH Termination demarcation point in euro connector size. The series include a passive part to be installed during fiber termination as well as several active parts to be installed by the end-customer.

High level specifications:

Active media converter Unit

Hardware

The following is applicable for 79701 - 703:
1x 10/100/1000 Base-TX (RJ-45)
Prepared for 4x 10/100/1000 Base-TX (RJ-45), as a future option

WAN

The following is applicable for 79701 - 703:
100/1000 Base-BX-U, single mode, auto sense
Optical Connector: Pigtail internally
Rx: 1490/1550 nm
Tx: 1310 nm

Ethernet

The following is applicable for 79701 - 703:
Layer 2 wire speed packet switching
IEEE 802.1Q VLANs incl Q-in-Q
10k jumbo frames support

CATV

The following is applicable for 79701:
1x RF-out F-connector (75 Ohm)
Optical wavelength: 1310 ... 1550 nm
Max optical input level: 0 dBm
Operational optical input level: -10 ... -3 dBm
RF bandwidth: 40 ... 870 MHz
RF output: 84 dBuV
RF flatness: <+/- 1dB
CNR: > 49 dB
CSO: > 60 dB
CTB: > 60 dB
LED: < -10 dBm (red) > -10dBm (green), TBD

Status LEDs

The following is applicable for 79701 - 703:
WAN and LAN link/activity

Management

In case of device failure the customer himself can make an easy exchange of the active part without interfering with the fiber installation, reducing the overall OPEX expenses, as no on-site visit by an installer is required.

Management

The following is applicable for 79701 - 703:
Remote Management Interface to control CATV module on/off and media converter VLAN/QoS settings

QoS

The following is applicable for 79701 - 703:
IEEE 802.1p and DiffServ
4 programmable queues per port, strict or WRR QoS

Power characteristics

The following is applicable for 79701 - 703:
External power supply, typ <5W
Input: 5VDC, 1.0A

Environmental specifications

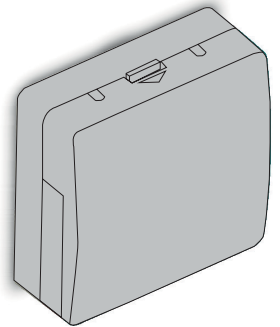
Operating temperature: 0°C to 40°C
Max operating humidity: 80% RH (non-condensing)
Storage temperature: -20°C to 70°C
Max storage humidity: 95% RH (non-condensing)

Physical characteristics

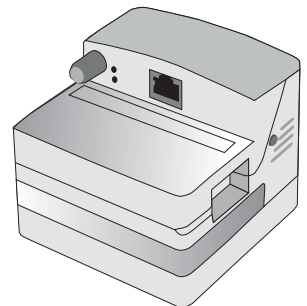
Dimensions (H x D x W):
79700: 35 x 88 x 88 mm
79701/703: 60 x 88 x 88 mm
Weight: TBD

Approvals and certifications

CE marking
Safety EN 60950
Emission: EN55022 Class B
Immunity: EN55024



79700 Passive Fiber Termination Unit



79701/703 Active Media Converter with CATV option for 79701

Item no.	Passive unit	1x RJ45-LAN, 100/1000 Base-BX WAN	CATV Rx
79700	✓		
79701		✓	✓
79703		✓	
79721	✓	✓	✓
79723	✓	✓	

Scan the QR code to view the latest PDF version of this datasheet.



High level specifications:

Passive fiber termination unit

The following is applicable for 79700:

Pigtail

Fiber length: 0.75m
Fiber diameter: 900um
Fiber type: G.657 Type A
Fiber color: White
Connector type: SC/APC or SC/PC

Adaptor

Type: SC/APC or SC/PC
Housing color: Green (SC/APC) or Blue (SC/PC)
Insertion Loss: $\leq 0.20\text{dB}$
Interchangeability: $\leq 0.20\text{dB}$
Repeatability: $\leq 0.20\text{dB}$
Operating Temperatures: -40°C to $+80^{\circ}\text{C}$
Sleeves: Zirconia sleeves

The 79700 Passive Fiber Termination Unit consists of two pieces, one part for fiber management and one protection part curved cover.

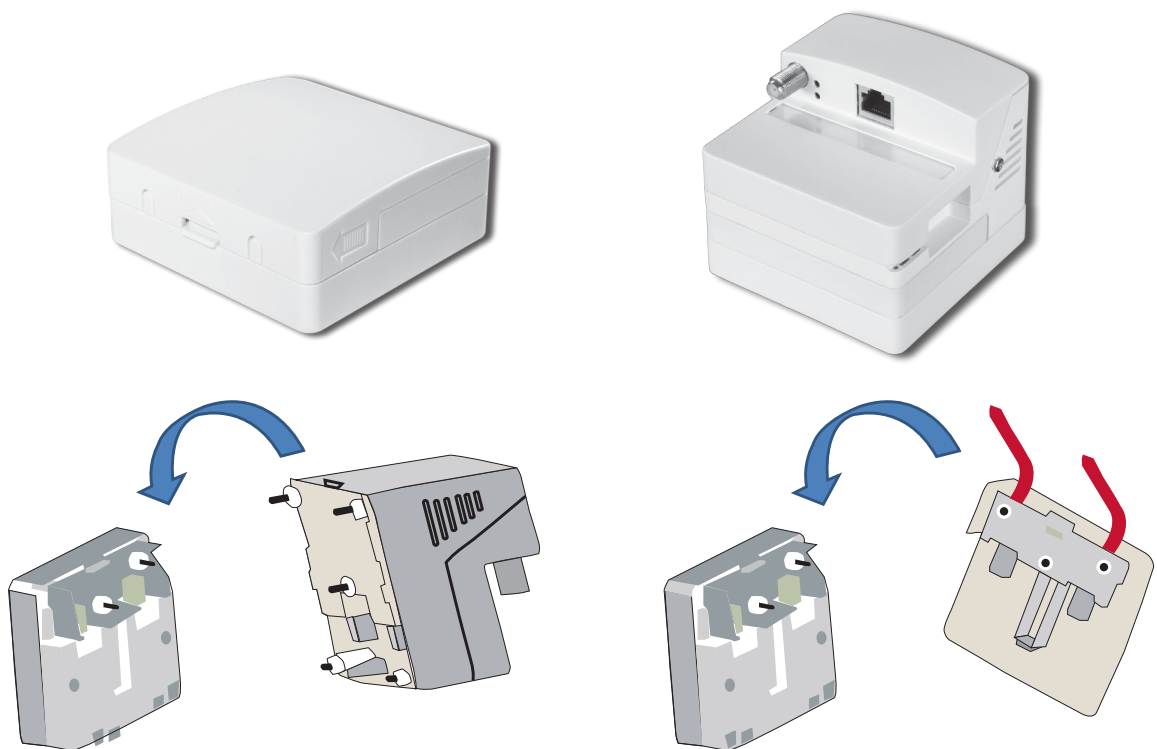
Usage models:

Active Optical Outlet

The bottom part is used for fiber management, the protection cover is removed, and an active part (79001 - 703) can be clicked on top of the bottom part.

Passive optical outlet

If 3rd party active equipment is used, such as switches and routers, then the 79700 can be used as Passive Optical Outlet. The protection part of the device can be used to secure patch cables for external connectivity, whereas the bottom part is used for fiber management.



79700 used as part of an Active Optical outlet solution. 79700 is used for fiber management, and 79701/702/703 includes the active part, clickable on top of 79700.

79700 used as Passive Optical Outlet: Protection Cover, secure fasten of patch cables, used for externally connectivity