



BUDI-S and BUDI-M

Building distribution enclosure

home - **EnLighten**
FTTH Solutions

What is BUDI?

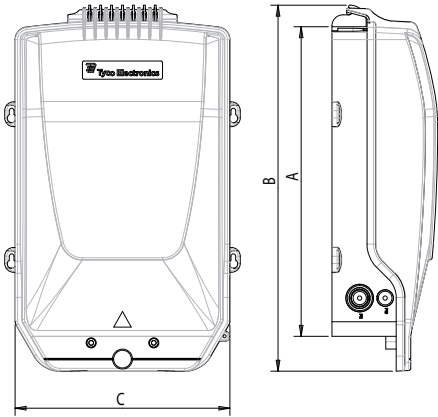
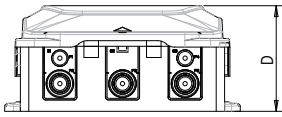
BUDI is a product range of compact wall mountable fiber enclosures for indoor and outdoor use. The enclosures are specifically designed for fast FTTH deployment and easy customer connection.

The BUDI product range offers service providers different capacities to fit all types of MDUs.

Features

- The BUDI wall boxes are designed to operate in category C (controlled), category G (outdoor ground level) and category A (aerial) as characterized by IEC 61753-1
- Materials are LSZH; fire retardant
- UV stable material for outdoor above ground use
- Multiple cable ports available and bottom cable seal blocks are wrap around
- Possibility to integrate passive optical components
- Removable enclosure lid
- Capacity of 24 SC connectors or 48 LC for the BUDI-S and 48/96 connectors for the BUDI-M. Other connector types can be made available as well
- Compatible with pre-tailed Mini-Breakout cable
- 4 to 6 OCM6 splitter modules can be integrated
- Demarcation between residential customers and business customers
- For FIST splice applications one has minimum 28 UMS units available for BUDI-S and 36 UMS units available for the BUDI-M to mount FIST-SOSA2 splice modules (Single Element and Single Circuit).
- The splice version (FIST) and the BUDI-M with connectors can accommodate a cable loop
- Lock with key available
- Multiple accessories available to terminate and seal different cable types
- OCM6 splitter compatible with 62 cm pigtail for BUDI-S and 71 cm pigtail for BUDI-M

Dimensions



Size	BUDI-S	BUDI-M
A: Height box (mm)	425	480
B: Height cover (mm)	500	550
C: Width (mm)	295	360
D: Depth (mm)	145	175

Capacities

BUDI-splice (FIST)

BUDI-S	SE	SC
# trays	14	28
# splices	168	56-112

BUDI-M

# trays	18	36
# splices	216	72-144

BUDI-termination (Splice-Patch)

BUDI-S with connector	LC	SC
Connector capacity	48	24
Number of point-to-point splices		8
Number of integrated OCM6 modules		4

BUDI-M with connector

Connector capacity	96	48
Number of point-to-point splices		8
Number of integrated OCM6 modules		6

For more technical options and order quantity information, please consult the products ordering guides or your local sales representative.

FIST, TE (logo) and TE Connectivity are trademarks of the TE Connectivity group of companies and its licensors.

The information given herein, including drawings, illustrations and schematics which are intended for illustration purposes only, is believed to be reliable. However, TE Connectivity makes no warranties as to its accuracy or completeness and disclaims any liability in connection with its use. TE Connectivity's obligations shall only be as set forth in TE Connectivity's Standard Terms and Conditions of Sale for this product and in no case will TE Connectivity be liable for any incidental, indirect or consequential damages arising out of the sale, resale, use or misuse of the product. Users of TE Connectivity products should make their own evaluation to determine the suitability of each such product for the specific application.

Tyco Electronics Raychem bvba
 Diestsesteenweg 692
 3010 Kessel-Lo, Belgium
 Tel 32-16 351 011 (USA)1-919-557-8900
 Fax 32-16 351 697 (USA)1-919-557-8498
www.te.com
www.telecomnetworks.com
 TC 1072/DS/4 09/11

