

# > INLINE CLOSURE UCAO

## Description



Inline Closure UCAO

## APPLICATION

The **UCAO Closure (Universal Closure fast Access for Optical Cables)** provides an environmentally protected sealing on splices of FO cables. In addition, the unit provides excellent cable strain relief and space for excess buffer tube storage. It can be installed on all common cable sheaths and is suitable for buried, duct and aerial application.

Due to its compact design, it is ideal for connections of low to medium distribution cables. Because of its extremely easy possibility of re-opening and reclosing, the closure is of interest for access networks.

## FEATURES

- Suitable for **buried, duct and aerial lines**
- For **straight and branching** application
- **Fast and easy access** to individual splice trays
- Capacity for **up to 60 splices**
- Closure sealing made of **re-usable silicone**

## DESIGN

The body of the closure consists of two **half shells** made of plastic resistant against all environmental influences. The intersection of the half shells is sealed with a **re-usable silicone ring**. The closing system is realized by an integral hinge on one side and five tensioners out of stainless steel and plastic on the other side. The tensioners can be closed by hand and easily opened by flipping with a screwdriver.

To prevent against unauthorized access, an **anti-access device** can be fixed on the clips as an option.

The two **cable entries** on each endface of the closure can accommodate cables with outer diameters of up to 21 mm. The cable entries are placed between the cable entry wedges in the lower half shell. The **sealing** between the cables, the wedges and the closure body is realized by proven sealing tape. Thus, also installation of uncut cables is possible.

With a **4-cable entry set** (option), comprising a multiple **strain relief** and a filling piece, each cable entry can be adapted to take four cables of up to 8 mm diameter. Alternatively, a closure with **sealing wedges**, each containing one port with **compression fittings**, is available. These ports simplify installing of branching cables on later demand.

Both the cable sheath and the central members are **strain-relieved** with **clamps** locked into the lower half shell. The same clamps provide **electrical through-connection** and external grounding if required.

The tightness of the closure can be flash-tested by using the optional **tightness testing set**.

## > INLINE CLOSURE UCAO

Fiber Management, Capacities, Dimensions



Management of the buffer tubes

### FIBER MANAGEMENT

The tray holder contained in each closure is to be inserted into the lower half shell. It can accommodate up to five standard splice trays with single tray access.

The fibers remain best protected in their own buffer tubes up to the splice trays.

### CAPACITIES

TYPE	NUMBER AND OUTER DIAMETER OF CABLES	NUMBER OF STANDARD SPLICE TRAYS	SPLICE CAPACITY	LENGTH OF BUFFER TUBES [MM]
UCAO 4-9 (standard)	4 x up to 21 mm	5	60	1930 (cut) 2300 (uncut)
UCAO 4-9 with compression fittings	2 x up to 21 mm 2 x 8 to 13 mm			

### DIMENSIONS

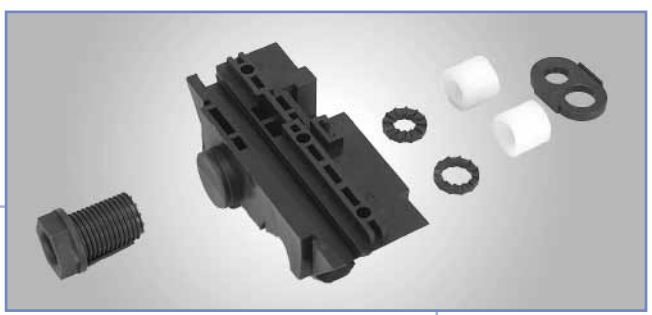
TYPE	OUTSIDE DIMENSIONS			WEIGHT [KG]
	LENGTH [MM]	WIDTH [MM]	HEIGHT [MM]	
UCAO 4-9	378	160	118	2.8
UCAO 4-9 with compression fittings	404			

# > INLINE CLOSURE UCAO

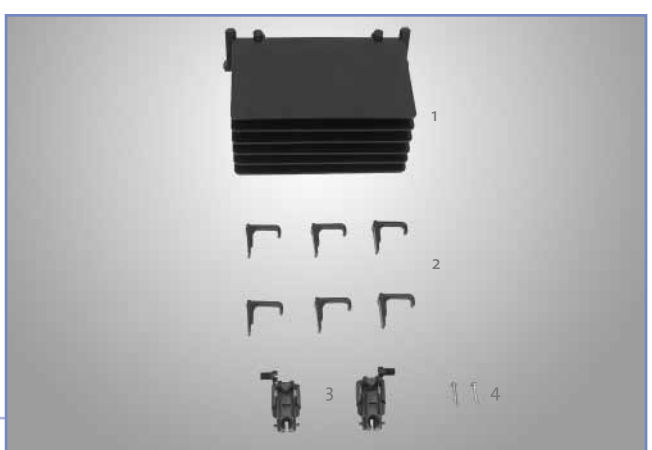
## Kit Content



Kit Content UCAO



Cable entry wedge with compression fittings



Components for Fiber Organization

### KIT CONTENT

Each closure kit contains all parts for installation of a straight joint including the equipment for fiber management. Consumables as special trays, splice organizer and splice protectors have to be ordered separately.

### CLOSURE CONTENT

- 1 Half shells with tensioners
- 2 Cabel strain reliefs incl. grounding
- 3 Cable entry wedges (For UCAO 4-9 with compression fittings: see picture below)
- 4 Sealing tape
- 5 Half-shell sealing
- 6 Cleaning tissue
- 7 Bolts for cable entry
- 8 Dummy plug
- 9 Wrapping gage
- 10 Grounding bolts (not shown)
- 11 Shield connection lead
- 12 Installation instructions

### COMPONENTS FOR FIBER ORGANIZATION

- 1 Tray holder, complete, for 5 standard splice trays
- 2 Holder for buffer tube store
- 3 Strain reliefs for central members
- 4 Bolts for strain relief

# > INLINE CLOSURE UCAO

Accessories, Order Numbers



Wall / Pole Mounting



Aerial Hanging Device



Anti-access Device

## ORDER NUMBERS

DESIGNATION	DESCRIPTION / DELIVERY UNIT	ORDER NUMBER
UCAO 4-9		
- with Grounding Device	1 kit	S45754-A3-A16
- without Grounding Device	1 kit	S45754-A3-A17
UCAO 4-9 with Compression Fittings		
- with Grounding Device	1 kit	S45754-A3-A42
- without Grounding Device	1 kit	S45754-A3-A41
<b>ACCESSORIES</b>		
Branching Set	Comprising: cable and central member strain relief and shield connection, for 10 cables; 1 set	S46998-A6-R1
Grounding Set	For 10 cables, 1 set	S46998-A6-R2
4-cable Entry Set	Including strain relief element, 10 pcs.	S45756-M7-A2
System for Tightness Testing	Including valve, plug, sealing paste, 10 sets	S45756-M5-A7
Wall / Pole Mounting	1 pc.	S45756-M5-A2
Aerial Hanging Device	1 pc.	S45756-M5-A1
Sealing Tape	Pack of 10	S45756-M2-A2
Desiccant 30 g	1 pc.	S45056-M130-A2
Anti-access Device	1 pc.	S45756-M3-A2
Heat-shrink Splice Protectors (s.pg. 56)		
- for single fibers, 60 mm	Pack of 100	S46999-A16-A4
- for single fibers, 45 mm	Pack of 100	S46998-A4-A29
- for attenuation splices and up to 4-fiber ribbons	Pack of 5	S46999-A16-A8
- for 4- up to 12-fiber ribbons	Pack of 25	S46999-A16-A6
Crimp Splice Protector (see page 57)	Pack of 150	S45057-Z1-H590
Splice Organizer		
- for 6 heat-shrink protectors	Pack of 10	S46999-Z12-A1
- for 12 crimp splice protectors	Pack of 10	C46197-A7-A69
Standard Splice Tray	For 12 single fibers, without cover; Pack of 2	C46197-A7-A70
Standard Splice Tray	For 12 single fibers, without cover; Pack of 10	C46197-A7-A66
Cover for standard splice tray	Pack of 10	S46998-A4-A1

FIBER OPTIC TOOLS: SEE PAGE 240