

7-Slot Media Converter Chassis



High Density Chassis for Multiple Converter Installation

PLANET MC-700 provides 7 slots in the 10" rack which saves more spaces for fiber-optic wiring yet eases the maintenance of media conversion. It allows the connectivity of up to seven PLANET Ethernet, Fast Ethernet, Gigabit Ethernet or VDSL2 Converters in one chassis. One fan is built-in for system cooling and its status can be watched by the LED indicators in the MC-700.

Plug and Play / Flexible Installation

The MC-700 offers a flexible and scalable solution to media converter installation. There is an independent power supply in each slot of the MC-700, so that any converter is hot-swappable without causing interruption to other converters. The media converters can be plugged and played anytime. Each bay of the MC-700 can be populated with any of PLANET's media converter series, the FT, GT, VC-20x and ICS series, to provide media conversion between fiber optic, phone wire and serial to copper lines.

Applications

Centralized Media Converter Management

PLANET MC-700 provides advanced Media conversion technology to meet the growing demand for the current network. The media converter chassis allows to install up to seven PLANET FT-8 / FT-9 / GT-7 / GT-8 Fast / Gigabit Ethernet media converter with diverse options of fiber connecting type to fit in different network applications. It is very flexible for FT-8 / FT-9 / GT-7 / GT-8 series being installed in the MC-700 for centralized power feeding and media conversion management.

Hardware

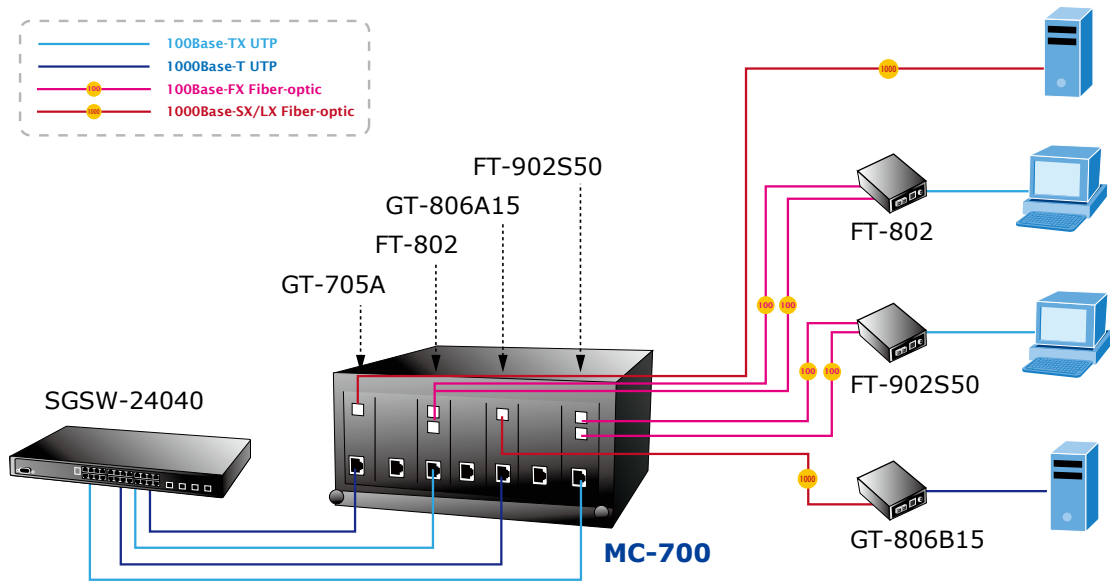
- High quality 10" Rack-mountable chassis installation
- Enables the converters to use Plug and Play
- Supports up to seven hot-swappable media converters
- One fan built-in for hardware cooling
- Reduces the effort of converter maintenance and management and can diagnose the status of converters at one time

Power System

- 100~240V AC power supply
- Power isolation in each bay
- Power protection from over voltage, over current and short circuit

Compatibility

- Supports PLANET Fast Ethernet, Gigabit Ethernet Media Converter series: FT-80x / FT-90x and GT-70x / GT-80x, GT-90x
- Supports VDSL2 Media Converter: VC-201A / VC-231
- Supports Serial over Ethernet Converter: ICS-10x series



Specifications

Model	MC-700
Dimensions (W x D x H)	217 x 140 x 88.5 mm (W x H x D) , 2U height
Converter slots	7 slots
Power Input	100~240V AC, 50/60Hz
Power Consumption	40 watts maximum / 136BTU
Power Output per slot	+5V DC
DC Plug per slot	2.5 mm DC receptacle
LED indication	2; Power, fan
Fan	1
Temperature	Operating: 0~50 degrees C Storage: -40~70 degrees C
Humidity	Operating: 5~90% non-condensing Storage: 5~90% non-condensing
Emission	FCC Part 15 Class A, CE

Ordering Information

MC-700	10-inch Media Converter Chassis with 7 Slots
--------	--

Related Products

FT-80x Series	10/100Base-TX to 100Base-FX Bridge Media Converters
FT-90x Series	10/100Base-TX to 100Base-FX Web Smart Media Converter
GT-70x Series	1000Base-T to 1000Base-SX/LX Gigabit Media Converter
GT-90x Series	Managed Gigabit Ethernet Media Converter
ICS-100	RS-232 / RS-422 / RS-485 over Fast Ethernet Media Converter
ICS-102 / ICS-102S15 / ICS-105A	RS-232 / RS-422 / RS-485 over Fast Ethernet Media Converter
VC-201A	Ethernet over VDSL2 Converter (1xRJ-45, 1xVDSL2/RJ11, 1xPhone-17a)
VC-202A	Ethernet over VDSL2 Converter (1xRJ-45, 1xVDSL2, BNC)
VC-231	Ethernet over VDSL2 Converter (1xRJ-45, 1xVDSL2/RJ11, 17a/30a)

PLANET Technology Corporation

11F., No.96, Minquan Rd., Xindian Dist., New Taipei City
231, Taiwan (R.O.C.)
Tel: 886-2-2219-9518 Fax: 886-2-2219-9528
Email: sales@planet.com.tw www.planet.com.tw



PLANET reserves the right to change specifications without prior notice. All brand names and trademarks are property of their respective owners. Copyright © 2014 PLANET Technology Corp. All rights reserved.

C-MC-700