

ECS RJ45 Field Plug Cat6A

RJ45 Plug C6A STP, kan användas till både skärmad och oskärmad kabel, solid eller flertrådig ledare. Kontaktering utan specialverktyg.
För direktanslutning vid ex. IP kamera.

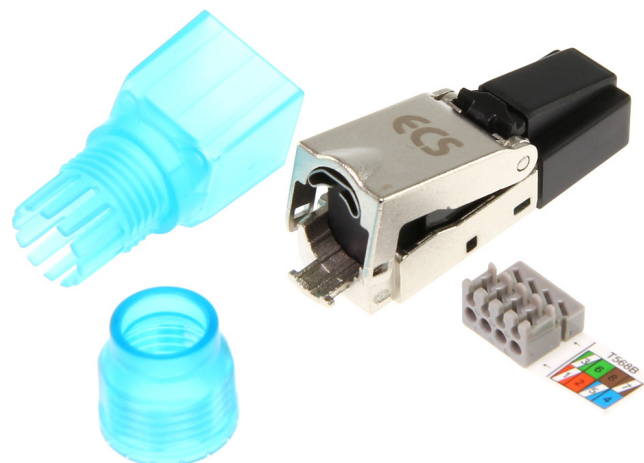
ART. NR	BESKRIVNING
AFPSC6A	ECS RJ45 Field Plug STP C6A

Specifications

Comply with IEC 60603-7-5
 Plug Housing: Zinc Alloy
 Plug Pins: Phosphor bronze with 50u" gold plating
 Durability: 750 mechanical cycles
 Current rating: 1.5A
 Dielectric withstanding voltage: 1000V DC
 Insulation resistance: 500M Ω MIN.
 Contact resistance: 20m Ω MAX

Features

Transmission performance: Cat.6A /Class EA
 Wiring label: TIA 568B
 Termination capability:
 22~26 AWG solid wire
 22 ~27 AWG stranded wire
 Re-termination capability: 5 times
 Supporting cable diameter: 6~9mm
 UL Listed
 PoE+ compliant
 4PPoE compliant
 Operation temp. withstand is -40°C to +70°C.
 Comply to climatic and chemical rating C3 (MICE / Climatic Chemical)



AFPSC6A

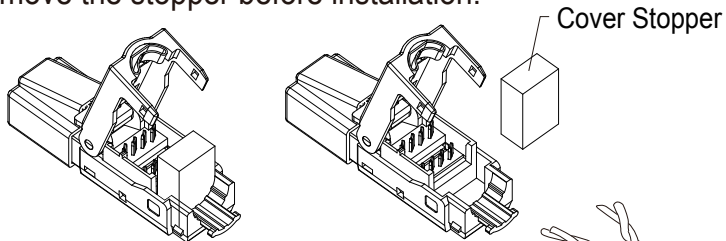
Alcadon Field Plug Shielded Cat6A



European Cabling Systems

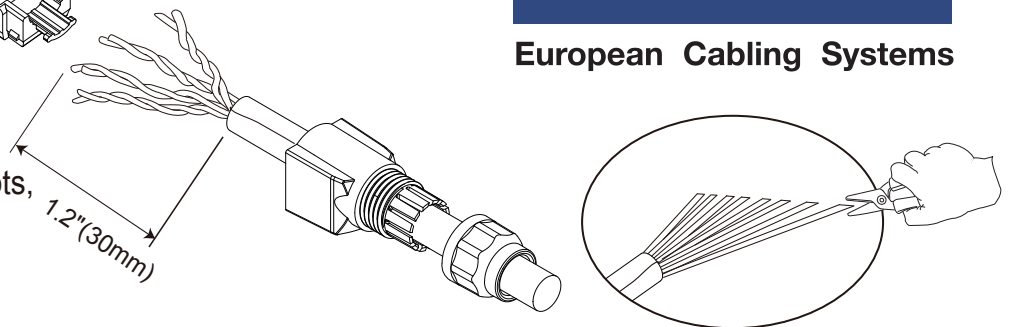
①

Remove the stopper before installation.



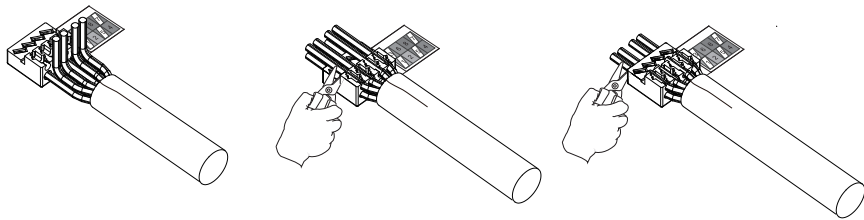
②

Insert cable through cable gland boots, strip off 1.2 inch of cable jacket, fold back the drain wire. Fan out all four twisted pairs, cut the conductors as shown.



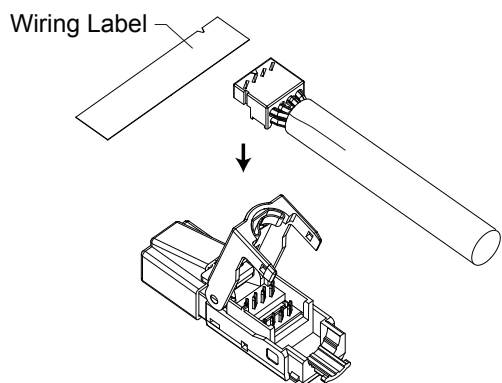
③

Following the color coding label and allocate each conductors into proper slots on wiring cap. Trim the ends of excess conductors.



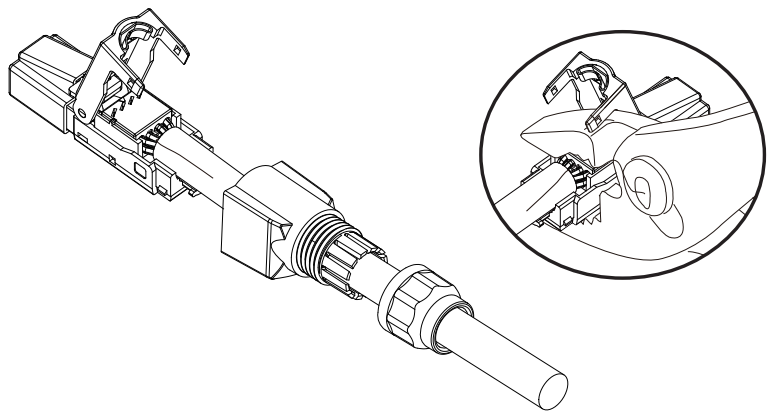
④

Remove the wiring label before place wiring cap on plug.



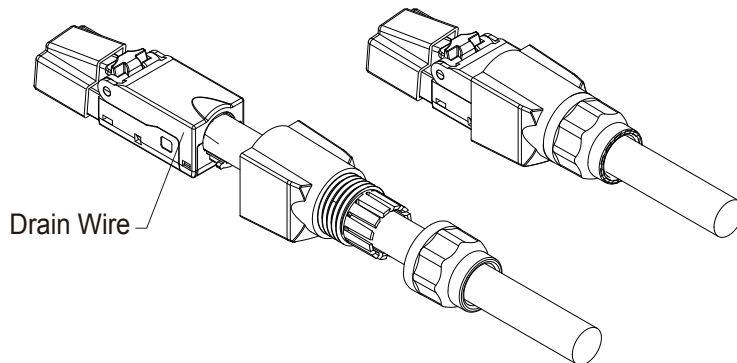
⑤

Place the wiring cap onto plug, use plier to clamp wiring cap until it completely snap-in to effect the connection.



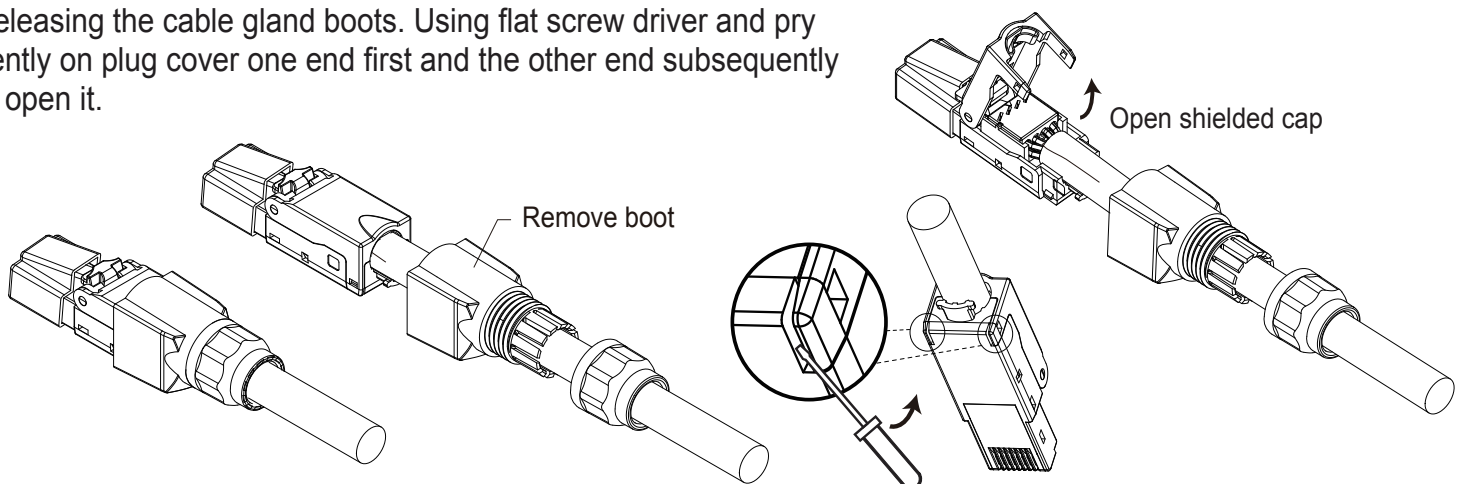
⑥

Close plug cover, make sure the drain wire is in proper contact with grounding clip on plug. Pull back cable gland boots to cover the plug. Rotate the cable gland to fasten and complete installation.



Unload the cable

Releasing the cable gland boots. Using flat screw driver and pry gently on plug cover one end first and the other end subsequently to open it.



6A

RoHS

