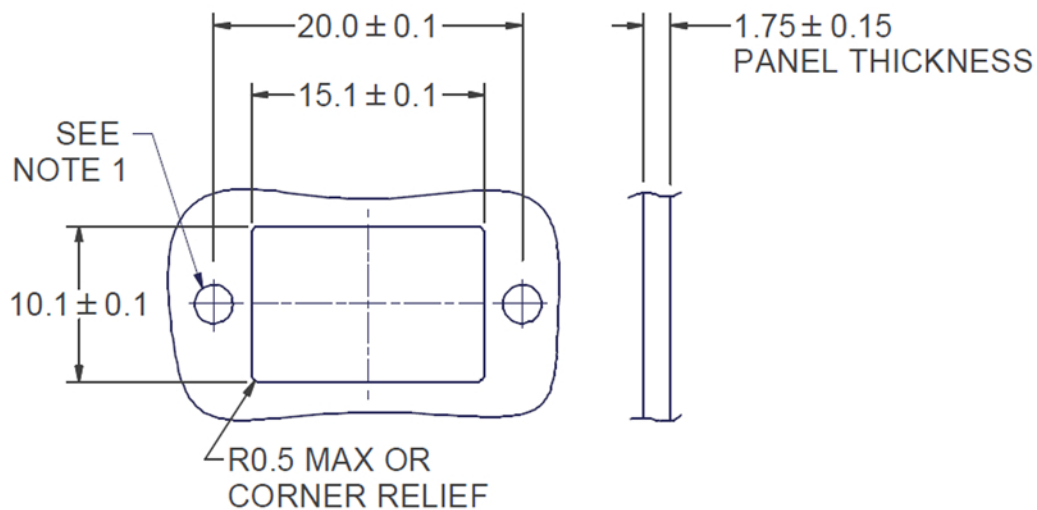
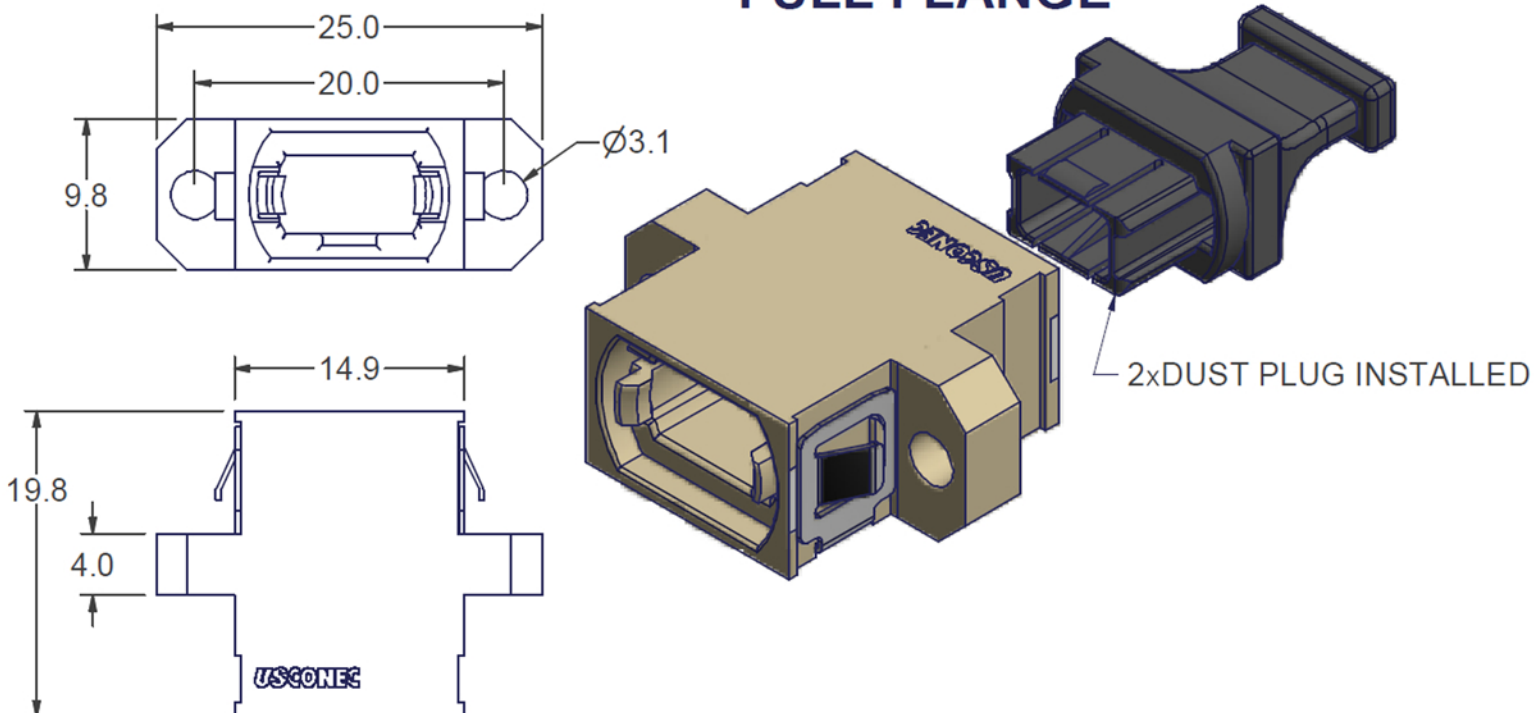


Alcadon

FULL FLANGE



RECOMMENDED MOUNTING CUTOUT

NOTE:

1. RECOMMEND USE OF M2.5 OR 4-40 SCREW, OR SCREW W/ NUT, SCREW HEAD DIAMETER & NUT WIDTH \leq 5mm. (SCREW & NUT NOT PROVIDED). RECOMMEND 2in-lbf TORQUE FOR SCREW MOUNT APPLICATIONS.