



guiding
connections

NOVOFIT END STOPS DB

PRODUCT DESCRIPTION

This product is a microduct end stop for Telecom direct buried applications. Specifically to (temporarily) close microducts, like Novomicro DB or microduct containing products.

Available to connect Microducts DB with outer diameter [mm]:
7, 8, 10, 12, 14 and 16

APPLICATION AREA

Designed for use with Wavin Cable Duct system to close Microducts DB used:

- as single product
- in Novosplit
- in Novoflat

The Novofit DB end stop can be realised in two ways:

- a temporary end stop, consisting of a Novofit DB connector combined with a plug
- a permanent end stop, consisting of a DI end stop combined with a protection case.

PRODUCT FEATURES

- Transparent housing + transparent protection case
- Suitable for microducts from 7 - 16 mm
- Push fit
- Re-openable (with screw driver)
- Pressure tight
- Leak tight
- Suitable from -15 °C
- Increased impact resistance for DB installation
- Locking clip included in protection case
- Expected lifetime 25 years under normal installation conditions for internal fitting
- Tested in accordance with EN 50411-2-8:2009.



*Temporary endstop :
Connector + plug*

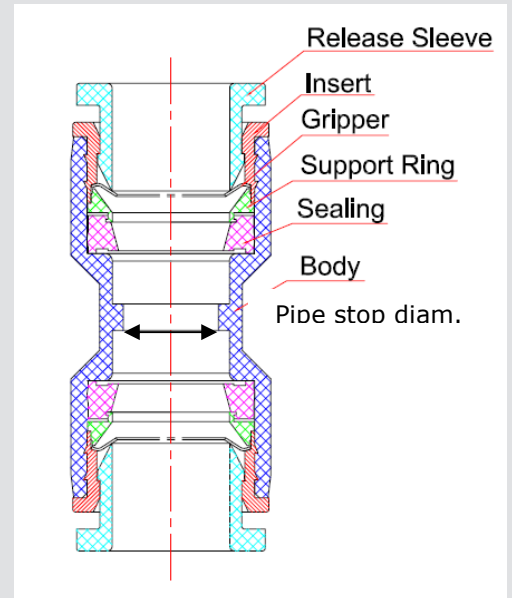


*Permanent endstop:
Endstop + protection case*

Accessible & Watertight Solutions for
latest generation telecom networks

PRODUCT COMPONENTS

Part description	No of parts	
	Temporary	Permanent
1. Release sleeve	2	1
2. Insert	2	1
3. Grab ring (Gripper)	2	1
4. Support ring	2	1
5. Sealing	2	1
6. Body	1	1
7. Protection case	1	1
8. Plug	1	not needed



PRODUCT SPECIFICATIONS

Materials

1. Release sleeve	POM
2. Insert	Nickel plated brass
3. Grab ring	Stainless steel
4. Support ring	POM
5. Sealing	NBR (fulfilling EN681-1)
6. Body	Clear PA
7. Protection case	PP
8. Plug	PP

The material is not UV stable for ½ year. It is advised to protect the product from direct sunlight.

Dimensions

	ID entrance	Protection case [mm]		Total weight endstop * [g]	
		Length	Max OD	Temporary end stop	Permanent end stop
7 mm DB	>7	41,3	26 / 19	13	8
8 mm DB	>8	41,3	26 / 19	13	8
10 mm DB	>10	49,7	29 / 24	24	12
12 mm DB	>12	51,5	31 / 26	28	13
14 mm DB	>14	51,3	32 / 28	30	14
16 mm DB	>16	51,3	32 / 28	42	19

* = including insert + release sleeve and protection case

Colours

Release sleeve	Dark grey-blue
Insert	Nickel colour
Grab ring	Stainless steel
Support ring	Black
Sealing	Black
Body	Transparent
Protection case	Translucent
Plug	Black

PRODUCT PERFORMANCE

Products diameter 14 mm is tested in accordance with EN 50411:2009.
Report is available on request.

Mechanical and tightness tests

Product	Push in force [N]		Pull out force [N]			Impact resistance (-15/20 °C) [Joule]	Impact resistance (-20 °C) [Joule]
	Required	Typical test result	Required	Typical test result 1)	2)	3)	
7 mm end stop DI	<40	12	>125	200		5	>1
8 mm end stop DI	<40	23	>125	300	320	5	>1
10 mm end stop DI	<40	25	>125	350	350	5	>1
12 mm end stop DI	<40	25	>125	475	640	5	>1
14 mm end stop DI	<75	30	>125	600		5	>1
16 mm end stop DI	<75	31	>125	584	580	5	>1

1) Tested with Novomicro DB pipe (in case of permanent endstop)

2) Pull out force when using the plug (in case of temporary endstop)

3) Impact requirement for microducts DI is 1 joule \geq 5 mm and 0,5 J for <5 mm ducts at 20 °C (EN 50411-6-1:2011)

Mechanical and tightness tests

Product	Leak tightness [cm ³ /min]	Resistance against internal pressure [h]		Spade test
		1)	25 bar/20 °C	
Requirement		>2h	>0,5h	
7 mm end stop DI	<1	> 2 h	>0,5 h	1000 N
8 mm end stop DI	<1	> 2 h	>0,5 h	
10 mm end stop DI	<1	> 24 h	>0,5 h	1000 N
12 mm end stop DI	<1	> 2 h	>0,5 h	1800 N
14 mm end stop DI	<1	> 2 h	>0,5 h	
16 mm end stop DI	<1	> 24 h	>0,5 h	

1) 8 bar / 4 hours + 2 bar / 24 hours

2) Technical Specification Speednet, version 1,0, June 2011.

Corrosion test stainless steel parts

Alls stainless steel parts have been tested on corrosion resistance during 100 h, pH 6-7 salt solution.

Life time fitting body material

Fitting product withstand pressure test after aging during 1000 hours at 95 °C to indicate an expected lifetime of 25 years

PACKAGING AND LABELLING

Packaging

Temporary end stop (2 products have to be ordered)

Size	Article no 	Fittings/bag [nr]	Weight per bag [g]	Article no 	Plugs/bag [nr]	Weight per bag [g]
7 mm	4036082	100	870	3040601	25	25
8 mm	4036083	100	1030	3040602	25	42
10 mm	4036084	100	1700	3040603	20	45
12 mm	4036085	100	1925	3040604	10	30
14 mm	4036086	100	2820	3040605	5	20
16 mm	4037191	100	3680	3040606	5	26

Permanent end stop (2 products have to be ordered)

Size	Article no 	end stops/bag [nr]	Weight per bag [g]	Article no 	Protection cases/bag [nr]	Weight per bag [g]
7 mm	3023913	100	390	4036811	100	400
8 mm	3023914	100	380	4036811	100	400
10 mm	3023738	100	800	4036813	100	400
12 mm	3023915	100	930	4036814	100	400
14 mm	4036088	100	1200	4036815	100	400
16 mm	4037193	100	2000	4037192	100	400

Labelling

The labels contain information about ; product name / quantity / article no / batch no / barcode + EAN code.