

Click object to rotate

Pro



Wideband 40mm LNB with Horizontal/Vertical ports, LO 10.40 GHz (EU)

IDLP-WDB01-OOPRO-OPP

Item: 5277

Specifically designed to meet the increasing demand of DTH operators for lower cost MDU and Multi-tuner Home Gateway installations. This professional wideband LNB is based on a single 10.40 GHz local oscillator, delivering outstanding RF performance over the entire frequency range (L-band) and for the signals at the two output ports for the vertical and horizontal plane combined with a greater immunity against terrestrial/4G interferences.

Manufactured to the highest industry quality standards and designed to meet strict specifications, this LNB is an ideal solution for a cost-effective reception of one satellite and its distribution to multi-tuner home gateways or to compatible Unicable II™ (dCSS) wideband multiswitches.

Main Features:

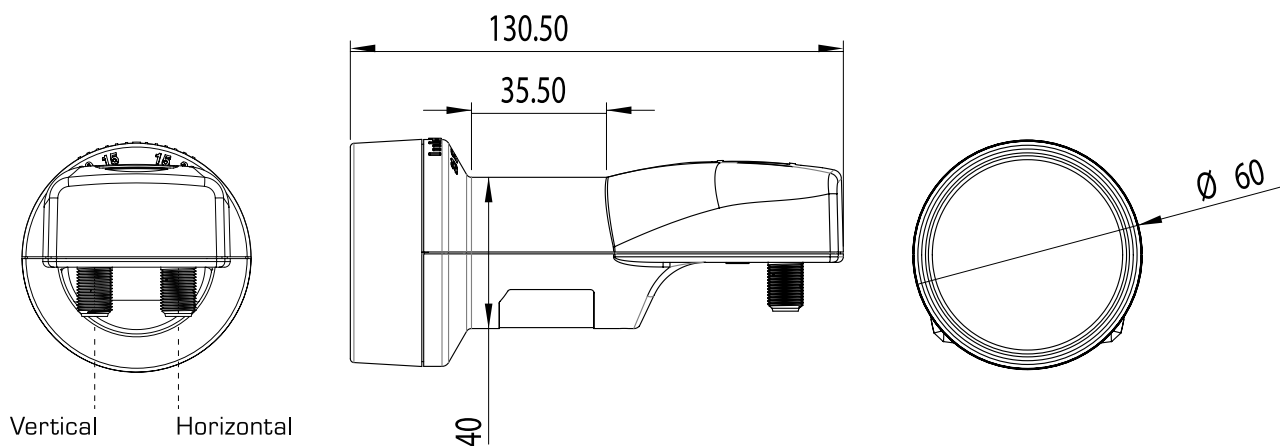
- Low Phase Noise, DVB-S2 (HDTV) compliant
- Low Noise Figure
- Low Power Consumption
- High Cross Polarization Isolation
- High Frequency stability
- Greater immunity against 4G interferences

Technical data

| | |
|-------------------------------------|----------------------------------|
| Input frequency range | 10.7 GHz ~ 12.75 GHz |
| IF frequency range | 300 MHz ~ 2350 MHz |
| Noise figure | 0.7 dB typ. (1 dB max.) |
| LO frequency accuracy @ 25° C | ±1 MHz |
| LO temperature drift | ±2 MHz |
| LO phase noise @ 10 kHz | -80 dBc/Hz max. |
| Conversion gain | 50 dB ~ 60 dB min. |
| Gain variation (over full band) | ±0.5 dB @ 27 MHz |
| Image rejection | 40 dB min. (8.05 GHz ~ 10.1 GHz) |
| 1 dB compression point (@ output) | 0.0 dBm min. |
| Cross polarization isolation | 25 dB min. |
| Polarization selection - Vertical | 10.0 V ~ 14.0 V |
| Polarization selection - Horizontal | 16.0 V ~ 20.0 V |
| Output VSWR | 2.5 : 1 |
| In band spurious level | -60 dBm max. |
| Current consumption | 150 mA max. @ 11 V ~ 20 V |
| Operating temperature | -30 °C ~ +60 °C |
| Output impedance | 75 Ω |
| Output connector type | F-Type (female) |
| Weight | 110 g |

Logistical info

| | |
|----------------------------------|-----------------------------|
| Packaging dimensions (W x D x H) | 6.5 cm x 6.5 cm x 13.8 cm |
| Packaging weight | 0.136 kg |
| Quantity per Carton | 50 pcs |
| Carton dimensions (W x D x H) | 36.7 cm x 34.7 cm x 29.5 cm |
| Carton weight | 9.1 kg |
| Quantity per pallet | 900 pcs |



For purpose of brevity, some product descriptions in this sheet remain at platform level and may not be referred to as detailed datasheets of the products. Inverto Digital Labs reserves the right to amend, omit or add products, product-lines, and / or features without notice.

For further details contact: sales@inverto.tv

FTA Communication Technologies S.à r.l. Tel. +352 264 367 1 Fax. +352 264 313 68

