

S03 1U Black Sliding Patch Panel - 24 Position SC/LC/E2000 up to 48 fibers



This innovative, robust 1U sliding patch panel. This panel has been designed to accept up to 48 fibers housed within a 1U space. These panels include an internal mounting plate to install the adapters giving a reduction in the bend radius of the exiting patch cords also giving a more aesthetically pleasing installation. With the ability to use a full array of adapter types offering a flexible solution to the end user, enabling them to incorporate a multi-functional panel which allows easy access during installation or re-work with no disturbance of the existing cable or fibers. In the addition to the array of adapters, the panel also offers multiple cable entry solutions, up to 4 standard cable entry points for, loose tube, tight buffer, pre-terminated and steel tape armored cable. Each panel has integrated strength member tie positions also with the additional removable plate at the rear of the panel allows the installation of steel tape armored cable.

FEATURES/BENEFITS

- Up to 48 fibers in 1U
- Multiple Adaptor options available
- 24 Adaptor positions
- Recessed Adaptor positioning
- Individually labeled ports
- 45° open working angle
- Accepts loose tube, distribution and pre terminated cables
- RoHS, REACH SvHC and UL rated
- Fits standard 19"

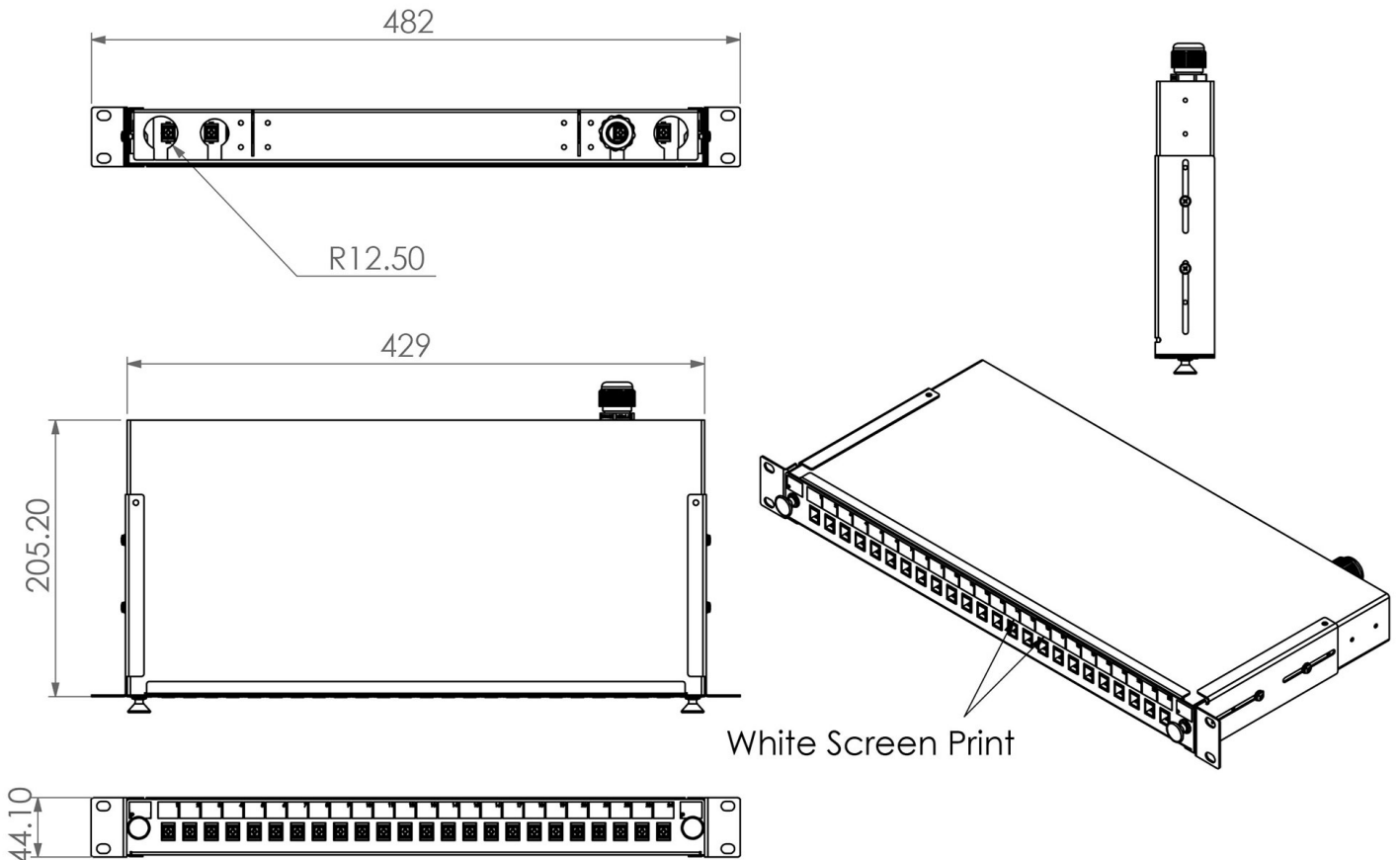
APPLICATIONS

- Data centers, premise installations, telecommunication networks
- Ethernet, Fiber Channel, ATM, LAN, MAN and WAN
- Data communication
- Indoor applications

SPECIFICATIONS

ELEMENT	CHARACTERISTIC
U Size	1U (44.4mm)
Width	482mm
Depth	205mm
Net weight	2.5 kgs
Packaged weight	3 kgs
Packaged dimensions	530mm W X 55mm H x 260mm D
IP rating	IP20
Suitable for Adaptor type	SC Simplex / LC Duplex / E2000
Number of ports	24
Cable Entry 20mm	2
Cable entry 25mm	2
Mounting Adjustment range	50mm
Material	Cold- rolled steel
Material thickness	1.2mm
Material coating	Powder coating
Colour	RAL 9004
Operating temperature	-40°C to +50°C
Designed in accordance with	TIA/EIA 568.C, ISO/IEC 11801, EN50173, IEC60304, IEC61754,
Compliant to	RoHS, Reach/SVHC

TECHNICAL DRAWING



ORDERING INFORMATION

Code	Fiber Type		Code	Fiber Count		Code	Adaptor/Connector 1		Code
F	S	SM Adaptors	PE	24	24F	BX	A	LC	X-03AD
	M	MM Adaptors		48	48F (LC Duplex)		B	LCA	
	V	MM EV adaptors					D	SC	
							E	SCA	
							L	E2	
							M	E2A	

PART NUMBER	DESCRIPTION	LEGACY PART NUMBER
FMPE24BXDX-03AD	Sliding Panel Black 1U 24 Port (SCS/LCD) 24F SC MM (Adaptors)	S03SCM24
FSPE24BXDX-03AD	Sliding Panel Black 1U 24 Port (SCS/LCD) 24F SC SM (Adaptors)	S03SCS24
FSPE24BXEX-03AD	Sliding Panel Black 1U 24 Port (SCS/LCD) 24F SCA SM (Adaptors)	S03SCA24
FMPE24BXLX-03AD	Sliding Panel Black 1U 24 Port (SCS/LCD) 24F E2 MM (Adaptors)	S03E2M24
FSPE24BXLX-03AD	Sliding Panel Black 1U 24 Port (SCS/LCD) 24F E2 SM (Adaptors)	S03E2S24
FSPE24BXXM-03AD	Sliding Panel Black 1U 24 Port (SCS/LCD) 24F E2A SM (Adaptors)	S03E2A24
FMPE48BXAX-03AD	Sliding Panel Black 1U 24 Port (SCS/LCD) 48F LC MM (Adaptors)	S03LCM24
FVPE48BXAX-03AD	Sliding Panel Black 1U 24 Port (SCS/LCD) 48F LC MM EV (Adaptors)	S03LCV24
FSPE48BXAX-03AD	Sliding Panel Black 1U 24 Port (SCS/LCD) 48F LC SM (Adaptors)	S03LCS24
FSPE48BXXB-03AD	Sliding Panel Black 1U 24 Port (SCS/LCD) 48F LCA SM (Adaptors)	S03LCA24



SCAN QR FOR PRODUCT PAGE

FURTHER INFORMATION

- For additional information please contact your sales representative
- To view the product 360 visit the product page (Scan the QR code or visit the link below)
- Downloaded from <https://www.aflhyperscale.com/product/s03-1u-sliding-patch-panel>
- AFL Hyperscale reserves the right to make changes in this datasheet at any time without notice
- Information in this document is correct as of November 22, 2019

Europe

+44 (0) 1908 441 144
emeasales@aflhyperscale.com
© AFL Hyperscale 2019

Americas

+1 866 814 8615
usasales@aflhyperscale.com

Middle East & Africa

+971 4 404 9606
mesales@aflhyperscale.com

India

+91 80 46874687
indiasales@aflhyperscale.com

Asia Pacific

+86 755 2561 3694
apacsales@aflhyperscale.com