



# Premium

**Quad Universal 40mm PLL LNB  
IDLP-QDL410-PREMU-OPN**

Item: 5447

Specifically designed and selected to address the demand of the global DTH market for a competitive and 4G/LTE protected solution, this LNB provides optimized reception capabilities using the latest chipset technology and waveguide design for satellite signal reception. It enables the reception of satellite TV and radio from a single satellite and its distribution to four single tuner Set-top boxes (or 2 twin tuner PVR). The LNB supports HD and UHD transmissions, delivers one-of-a-kind RF performances, very low power consumption and importantly engineered to mitigate interferences from 4G/LTE transmissions. Manufactured to the highest industry quality standards and engineered to meet strict specifications, this LNB is an ideal solution for the demanding customer of DTH operators and satellite broadcast reception across the world.

## Main Features:

- Low Phase Noise, DVB-S2 (HD and UHD) compliant
- Very low Noise Figure
- Low power consumption
- High Cross Polarization Isolation
- High Frequency stability



[www.inverto.tv](http://www.inverto.tv)



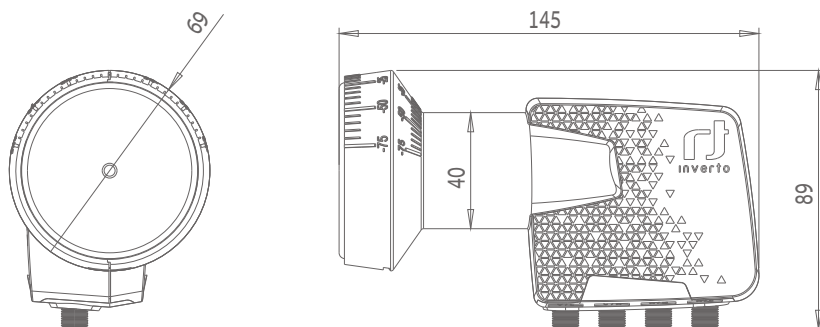
-   
HsSquare  
Technology
-   
←40→  
mm
-   
ULN+  
Ultra Low Noise  
Technology
-   
4G
-   
4K  
Ultra HD

## Technical data

Input frequency range	10.7 GHz ~ 12.75 GHz
Output frequency range	950 MHz ~ 2150 MHz
Low band LO frequency	9.75 GHz
High band LO frequency	10.6 GHz
Noise figure	0.2 dB typ. (0.7 dB max.)
LO frequency accuracy @ 25 °C	±500 kHz max.
LO temperature drift	±1.0 MHz max.
LO phase noise @ 10 kHz	-80 dBc/Hz max.
Conversion gain	55 dB min.
Gain ripple (over 26 MHz bandwidth)	±0.6 dB
Gain variation (over full band)	±3 dB
Image rejection	40 dB min.
3th order intermodulation - ICP3	10 dBm min.
1 dB compression point (@ output)	0 dBm min.
Cross polarization isolation	22 dB typ., 20 dB min.
Control signal Ca (V)	11.0 V ~ 14.0 V
Control signal Cb (H)	16.0 V ~ 20.0 V
Control signal Cc (band switching)	22 kHz ±4 kHz, 0.4 V ~ 0.8 V pp
Output VSWR	2.5 : 1
In band spurious level	-60 dBm max.
Current consumption	120 mA max. @ 11 VDC ~ 20 VDC
Operating temperature	-35 °C ~ +60 °C
Output impedance (LNB2)	75 Ω
Output connector type	F-type (female)
Dish F/D ratio	0.6
Weight	221 g

## Logistical info

Packaging dimensions (h x w x d)	15.5 cm x 9.1 cm x 7.6 cm
Packaging weight	0.281 kg
Quantity per carton	60 pcs
Carton dimensions (h x w x d)	64.0 cm x 47.5 cm x 25.0 cm
Carton weight	18.1 kg
Quantity per pallet	32 ctns/plt



For purpose of brevity, some product descriptions in this sheet remain at platform level and may not be referred to as detailed datasheets of the products. Inverto Digital Labs reserves the right to amend, omit or add products, product-lines, and / or features without notice.

For further details contact: [sales@inverto.tv](mailto:sales@inverto.tv)  
 FTA Communication Technologies S.à r.l. Tel. +352 264 367 1 Fax. +352 264 313 68