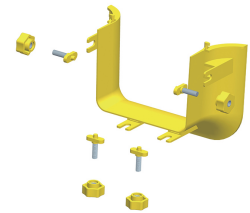


## Downspout Kit Fiber Raceway



Fiber raceway system is designed to protect, manage and route fiber optic cable assemblies and patch cords to and from network cabinets, optical distribution frames (ODFs) and other terminal devices within data centers. Fiber raceway system provides the necessary fiber cable management to ensure network reliability by:

- Maintaining proper fiber cable bend radius control at all points
- Providing fiber cable physical protection from external elements
- Enabling easy access to fiber cables
- Providing necessary fiber cable slack management
- Properly defining routing paths throughout the data center

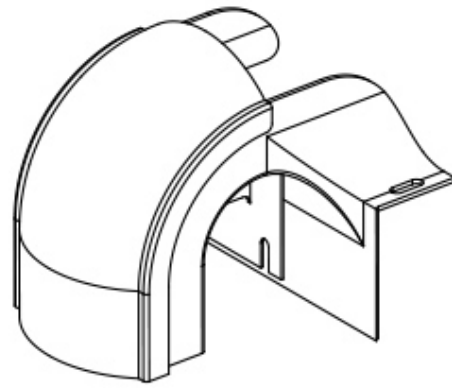
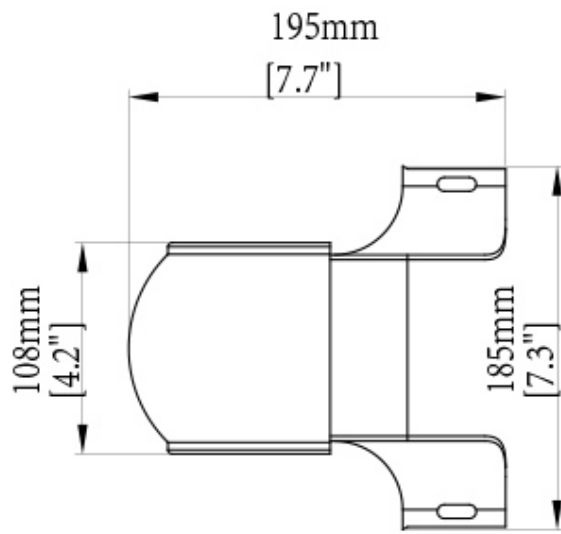
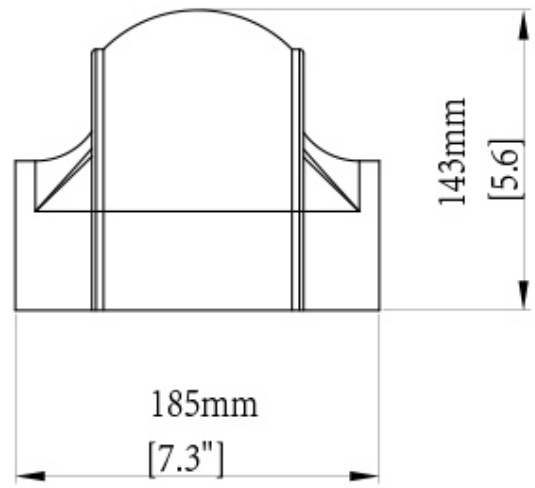
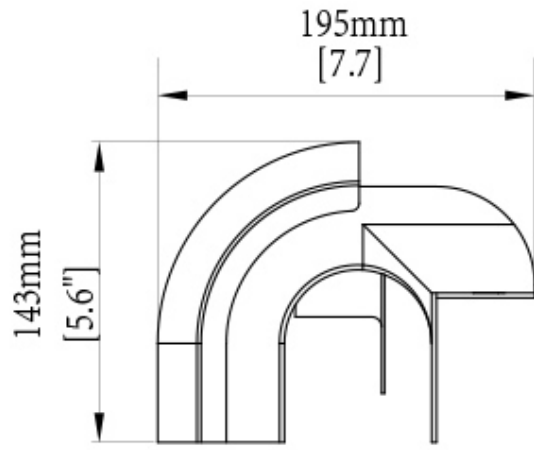
Fiber raceway system offers downspout kits that assembly onto 4"x5", 4"x10", or 4"x15" channel, spilling over the side into a 90mm or 130mm movable exit with or without corrugated pipe. All components are environment friendly and high-class plastic, ROHS compliant, and UL94-V0 level of flammability.

### FEATURES/BENEFITS

- Easy and Quick Tool-less assembly
- All plastic parts reach UL94-V0 level of flammability
- RoHS compliant
- Withstanding Voltage: AC500V /DC1000V
- Insulation Resistance  $\geq 20 \text{ M}\Omega$
- Installation Temperature :  $-25^{\circ} \sim +60^{\circ}\text{C}$

### APPLICATIONS

- Data Center
- Service Provider facility



## ORDERING INFORMATION

PART NUMBER	PRODUCT DESCRIPTION
AFLA01011	AFL HS Fiber Raceway Downspout kit 90 x 143mm PVC Yellow
AFLA01031	AFL HS Fiber Raceway Downspout kit 130 x 153mm PVC Yellow
AFLA01001-P	AFL HS Corrugated pipe PVC Kit, suit for Downspout
AFLA02011	AFL HS Fibre Raceway Trumpet Downspout kit 120 x 200mm ABS Yellow



SCAN QR FOR PRODUCT PAGE

## FURTHER INFORMATION

- For additional information please contact your sales representative
- To view the product 360 visit the product page (Scan the QR code or visit the link below)
- Downloaded from <https://www.aflhyperscale.com/product/downspout-kit-fiber-routing-tray>
- AFL Hyperscale reserves the right to make changes in this datasheet at any time without notice
- Information in this document is correct as of January 08, 2020

## Europe

+44 (0) 1908 441 144  
emeasales@aflhyperscale.com  
© AFL Hyperscale 2020

## Americas

+1 866 814 8615  
usasales@aflhyperscale.com

## Middle East &amp; Africa

+971 4 404 9606  
mesales@aflhyperscale.com

## India

+91 80 46874687  
indiasales@aflhyperscale.com

## Asia Pacific

+86 755 2561 3694  
apacsales@aflhyperscale.com